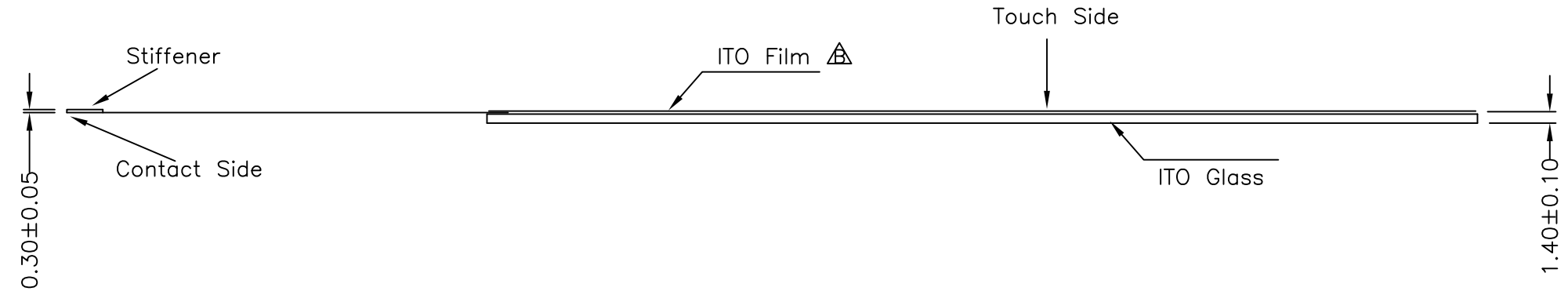
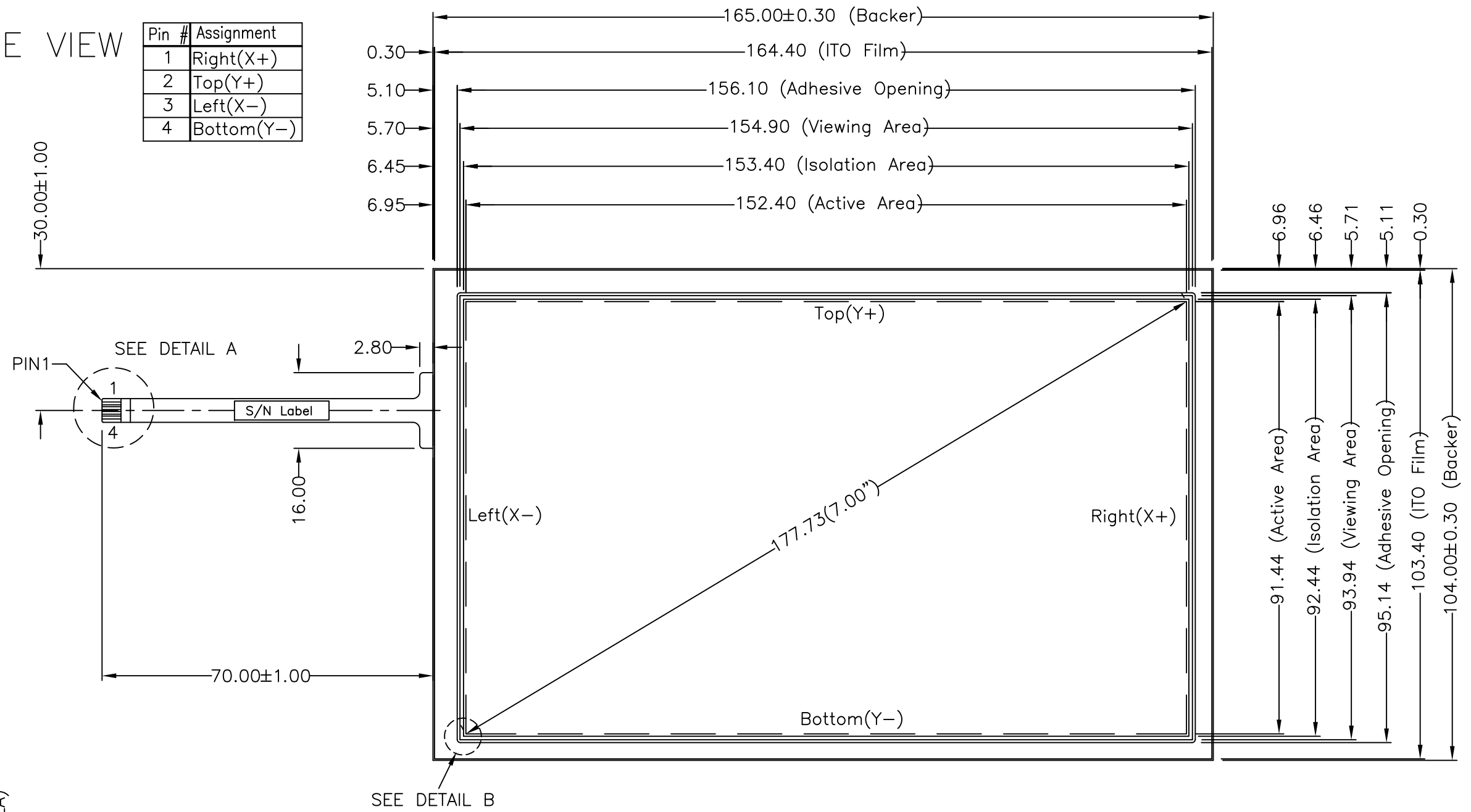
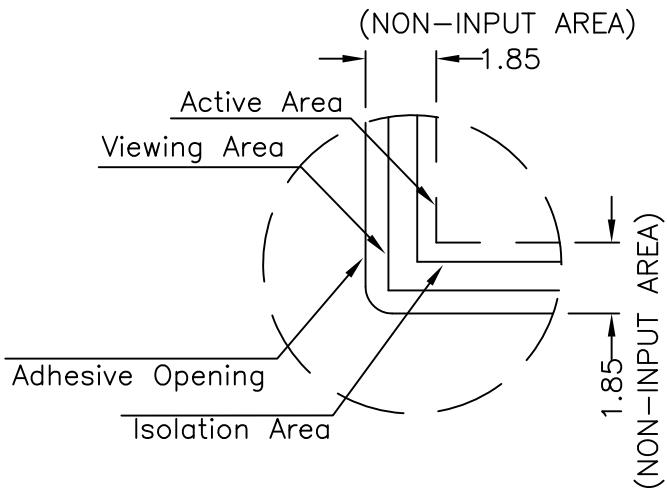
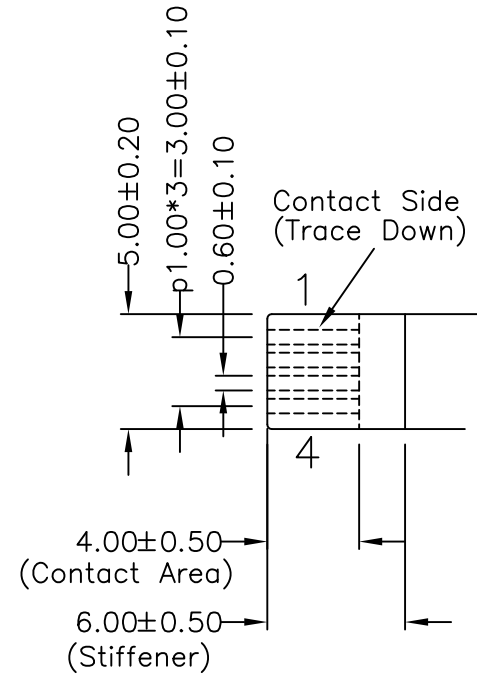


TOUCH SIDE VIEW

Pin #	Assignment
1	Right(X+)
2	Top(Y+)
3	Left(X-)
4	Bottom(Y-)



NOTES:

1. ITO GLASS THICKNESS : 1.10mm
 2. OVERALL THICKNESS :1.40±0.10mm
 3. CONNECTOR AND PINOUT AS INDICATED
 4. FRONT SURFACE : ANTI-GLARE HARDCOAT
 5. TAIL TYPE : IMMERSION GOLD PLATED FPC , ZIF
 6. OTHER SPEC : SEE APPROVED SHEET
- *BEFORE DESIGN PLEASE REFER TO THE INTEGRATION GUIDE



NO.	DATE	DESCRIPTION	CHK
B	OCT 15, 2009	MODIFY ITO FILM	ALEX
REVISION			
CHIEF OF DESIGN		APPROVED	Grace
ENGINEER		PROJECT MANAGER	
DRAWN BY	Bruce	DATE	May 15, 2012
SHT	1 OF 1	REV.	B

Apex Material Technology Corp.	
TOLERANCES UNLESS SPECIFIED	MODEL NAME: 9545
.X ± 0.50	DWG NO : 9545-2-011
.XX ± 0.50	
.XXX ± 0.30	
ANGULAR .	SCALE: 1:1 UNIT: mm