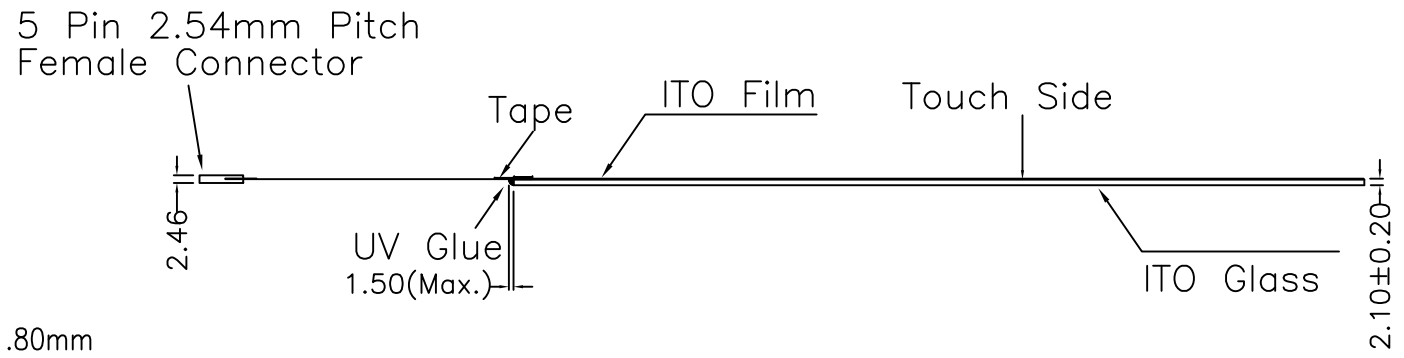
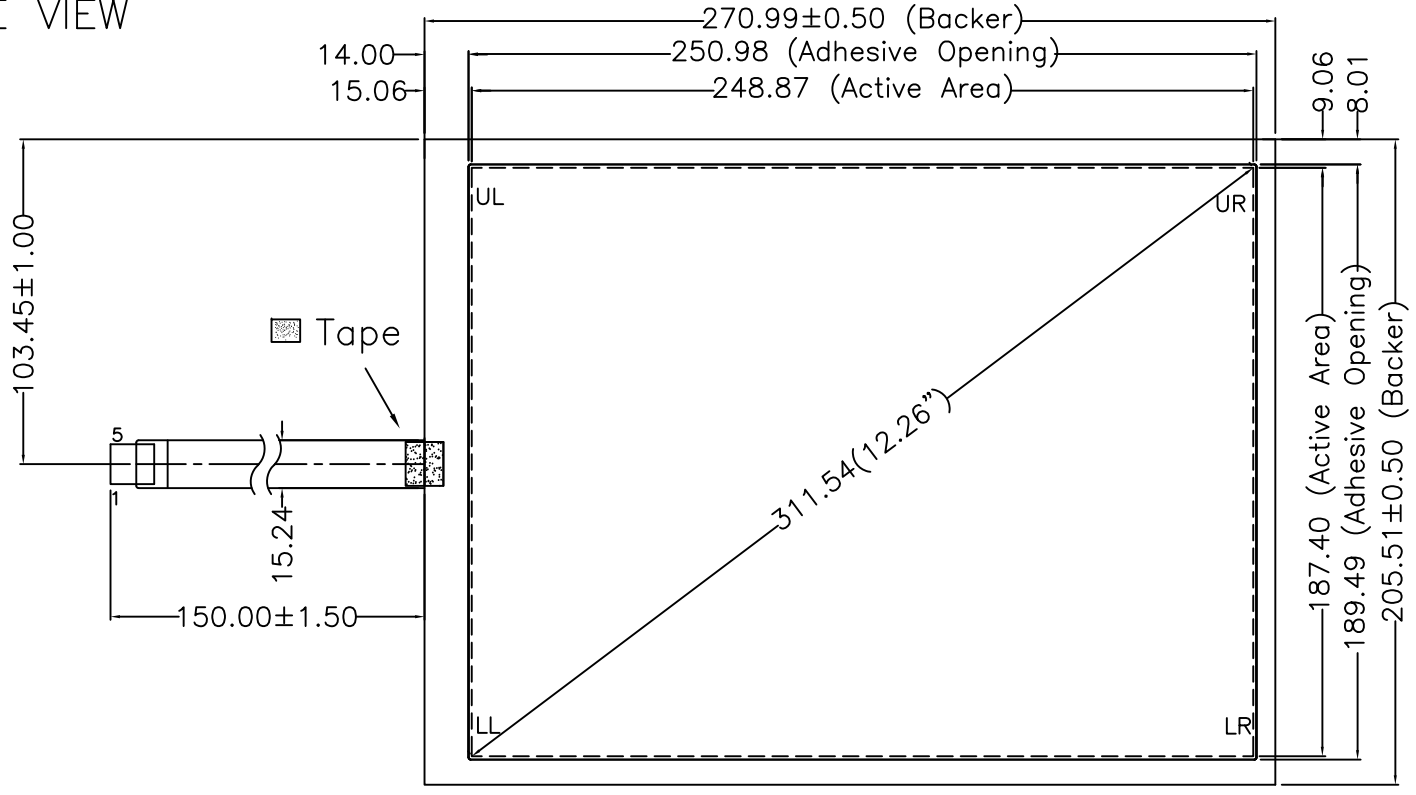


TOUCH SIDE VIEW

Pin#	Assignment
1	LL
2	UL
3	S
4	LR
5	UR



NOTES:

1. ITO GLASS THICKNESS : 1.80mm
 2. OVERALL THICKNESS : 2.10±0.20mm
 3. CONNECTOR AND PINOUT AS INDICATED
 4. FRONT SURFACE : ANTI-GLARE
 5. TAIL TYPE : FPC WITH CONNECTOR AMP-COMPATIBLE ELECTRO TIN PLATED CONTACT
 6. OTHER SPEC : SEE APPROVAL SHEET
- *BEFORE DESIGN PLEASE REFER TO THE INTEGRATION GUIDE

NO.	DATE	DESCRIPTION	CHK
C	Jun.20,12	Modify Circuit Design & Overall Thickness	Grace
A	Mar.06,07	Pattern modified	Alex
REVISION			
CHIEF OF DESIGN		APPROVED	Grace
ENGINEER		PROJECT MANAGER	
DRAWN BY	Jasper	DATE	Jun. 20, 2012
SHT	1 OF 1	REV.	C

Apex Material Technology Corp.

TOLERANCES UNLESS SPECIFIED		MODEL NAME :02514-00 DWG NO : 02514-3-01 SCALE: 1:1 UNIT: mm
.X	± 0.50	
.XX	± 0.50	
.XXX	± 0.30	
ANGULAR	.	

