

JNF631R Series

Intel® Apollo-Lake SoC CPU, DDR3L up to 8GB, support Max. 4K display resolution

Features

1. Intel® Apollo Lake Series Processor (Default: J3455)
2. Support 1 * DDR3L SO-DIMM, up to 8GB
3. Support 2 * Display Port & 1 * eDP port
4. Support Triple Display, max 4K@60Hz resolution
5. 1 * External RS232(RJ45 Type) & 5 * Internal COM (COM 2 support RS232/422/485)
6. 4 * External USB3.0 & 2 * Internal USB2.0
7. 1 * Full size Mini PCIe, 1 * M.2 SATA interface
8. SIM card holder & Micro SD socket



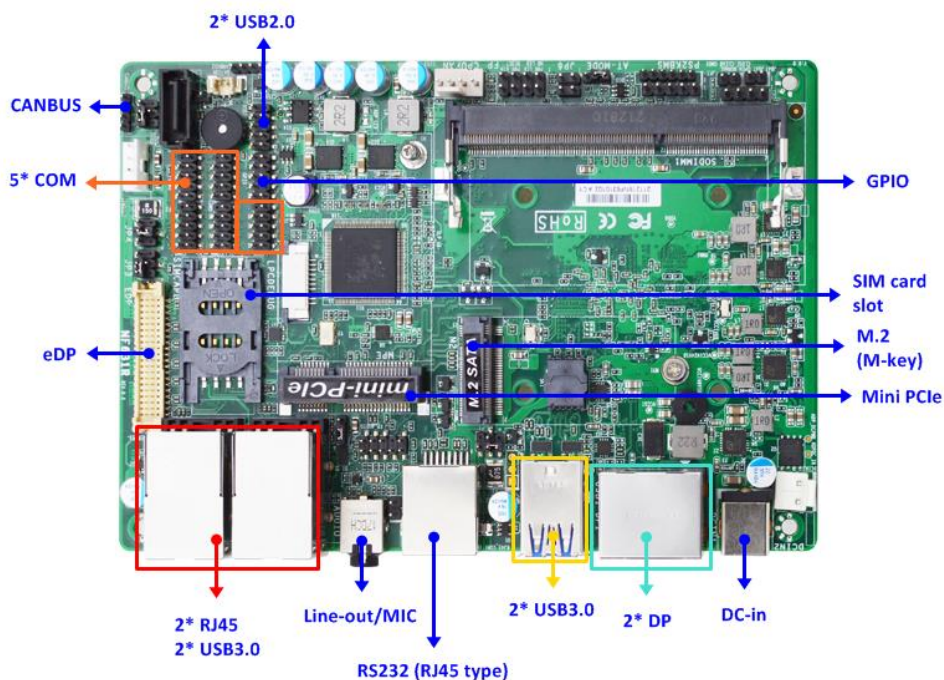
intel. FC CE RoHS COMPLIANT

Overview

The JETWAY JNF631R series are 3.5" form factor board adopts the Intel® Apollo Lake SoC Processor. The board supports one 204-pins SO-DIMM DDR3L memory, up to 8GB. Featuring the integrated Realtek RTL8119I Gigabit Ethernet controller for Gigabit Ethernet connection, the JNF631R offers two 10/100/1000Base-TX Ethernet devices for network transmission. One SATAIII (6Gb/s) interface, micro SD socket and one M.2 (M-key, 2242) interface offer ample storage options. One Mini PCIe interface and SIM card holder are for 3G/LTE connection. Four USB3.0 ports, two USB2.0 ports and six COM ports provide versatile expansion. The JNF631R offers two DP and one eDP port which can support triple independent output and display up to 4Kx2K@60Hz resolution. Because of these features, NF631R is suitable for digital signage or kiosk or industry use.

Application: Digital Signage / KIOSK / Industry Use / Auto Control

I/O Diagram



Specifications

Model	<ul style="list-style-type: none"> JNF631R-3350 JNF631R-3455 (Default)
Form Factor	<ul style="list-style-type: none"> 3.5" (5.8-in * 4.0-in, 148 * 102mm)
Processor System	<ul style="list-style-type: none"> Intel® Apollo Lake SoC Processor, Default: J3455 AMI Flash ROM BIOS
Memory	<ul style="list-style-type: none"> 1* DDR3L 1866MHz SDRAM up to 8GB
Storage	<ul style="list-style-type: none"> 1* SATAIII (6 Gb/s) 1* M.2 M-key (2242 W/SATA interface) 1* Micro SD card slot
Expansion	<ul style="list-style-type: none"> 1* Mini-PCIe (Full-size) 1* SIM card Holder
Ethernet	<ul style="list-style-type: none"> 2* Realtek RTL8119I GbE
Graphics	<ul style="list-style-type: none"> Intel® HD Graphics, shared memory 1* eDP1.3 (Max Resolution: 3840x2160@60Hz) 2* DP (Max Resolution: 4096x2160@60Hz) Support Triple Displays
Audio	<ul style="list-style-type: none"> HD audio: Realtek ALC888S, 2 Channel (combo Line Out + Mic)
Watchdog Timer	<ul style="list-style-type: none"> From Super I/O to drag RESETCON# 256 segments (10sec ~ 255min)
Internal I/O	<ul style="list-style-type: none"> 2* USB2.0 1* PS/2 1* eDP 5* COM (COM2 support RS232/422/485, COM3~6 support RS232) 1* SATAIII 1* mPCIe (full size) 1* M.2 M-key (2242) 1* GPIO (8 bit) 1* Chassis intrusion 1* Audio Header 1* SMBUS 1* AT mode 1* CANBUS
External I/O	<ul style="list-style-type: none"> 2* DP 2* RJ45 4* USB3.0 1* Audio (Line out + MIC combo) 1* RS232 (RJ45 type) 1* DC-input
Power	<p>12V DC-in, AT/ATX Supported</p> <ul style="list-style-type: none"> - AT: Directly PWR on as Power input ready - ATX: Press Button to PWR on after Power input ready
Compliance	CE, FCC, LVD, RoHS, REACH
Temperature	<ul style="list-style-type: none"> Operating Temperature: 0 ~ 60° C Storage Temperature: -20 ~ 85° C Humidity: 10% ~ 90% RH @40°C (non-condensing)
Warranty	<ul style="list-style-type: none"> 2 Years limited warranty

* Specifications subject to change without notice, not responsible for typographical errors. Does not include HDD or OS.

Standard Accessories

Part Number	Description
	JNF631R Series M/B
G01-SATA3-BL-1F	1* SATA cable
G01-PW4PS-2S-323F	1* SATA Power cable
G01-COM-H2M22-1F	2* COM cable
HCS365MHT01B-F	1* Fin type Heatsink

Mechanical Drawings (Unit=mm)

