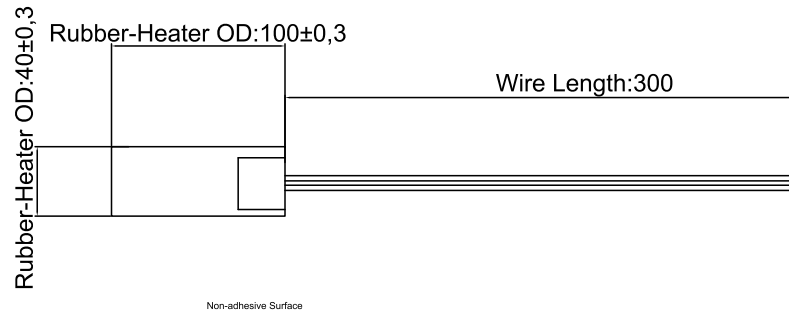


Ver.	Modify No.	Details	Area	P.I.C	Date



Technical Datasheet:

1. Rubber-Heater Size: 100mm*40mm*1.8mm
2. Rubber-Heater Power/Voltage: 20W / 24V
3. Wire Length: 300mm

Part No.		BTP-RH 100x40		
Product Name:		Drawing No.	RH100x40230728	
100x40mm Rubber-Heater		Project Code.	RH100x40	
Designed by:	Curry.Wang	Business Unit:	Period Mark	View Angle
Checked by:	Rocky.Liu	SNT-BTP	A	
Approved by:	Cale.Chen			
Workmanship:	Jin.Yu	BOM Code	0.21.055.00.0000	Page 1
Standardization:	Link.Chen	Product Series	BTP-ACC	Total 1 Page
Released by:	Rocky.Liu	思诺泰科创电子(苏州)有限公司 SINOTELECTRONICS INC.		