



倍仕得电气科技(杭州)股份有限公司

BEISIT ELECTRIC TECH (HANGZHOU) CO., LTD

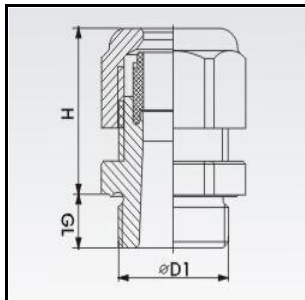
1, Tangmei RD., Yuhang Economic-Technological Development Area, Hangzhou, Zhejiang 311100, China

TEL: 86-571-8936 2888 FAX: 86-571-8936 2999

PRODUCT SPECIFICATION

PRODUCT NAME: M Type Nylon cable gland
 ITEM NO.: C-M1608(M16X1.5)
 CABLE RANGE: 4 - 8mm
 MATERIAL: Nylon
 WORKING TEMP.: -20 °C to 80 °C
 PROTECTION DEGREE: IP65

DRAWING:



Datasheet:

Thread	Cable Range (mm)	H (mm)	GL (mm)	Wrench size (mm)
M16	4-8	24	8	19

- APPLICATION FIELD:
1. Electric Power Set
 2. Roll Transit (Railway of High Speed)
 3. Wind Energy, Solar Energy
 4. Safety Protection
 5. Outdoor Lighting
 6. Oil and Gas Field
 7. Heavy Duty Connectors
 8. Lathe Equipments

