

# ClearFog GT8K SBC

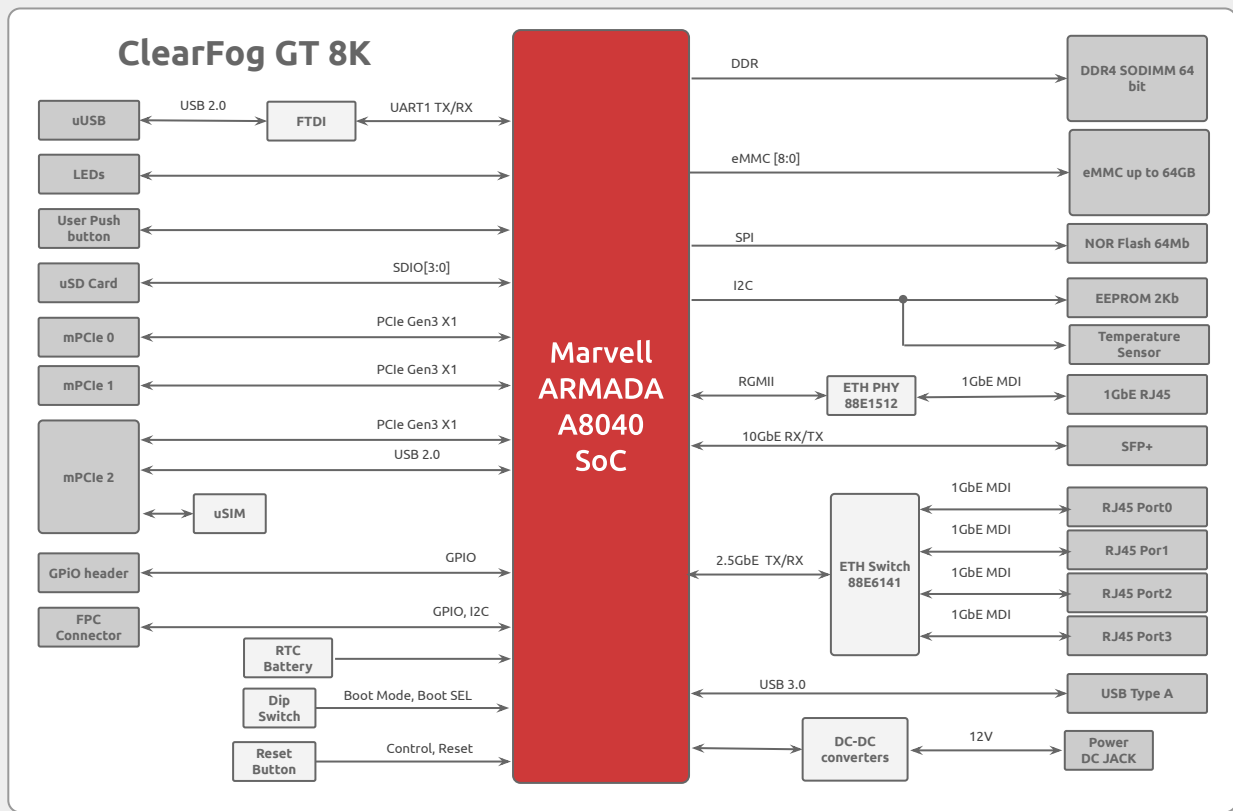
Up to 4 Cortex-A72 CPU cores, up to 2GHz



- SoC: Marvell ARMADA 8040 (88F8040)  
Quad core ARM Cortex A72
- Memory: Up to 16GB SO-DIMM
- Storage: 8GB eMMC
- Temperature: Commercial (0C to 70C),  
Industrial (-40C to 85C)
- OS: Linux



	ClearFog GT8K
<b>I/Os</b>	1 x USB 3.0
<b>Networking</b>	4 x 1GbE switched LAN (RJ45) 1 x 1GbE WAN (RJ45) 1 x SFP+ (up to 10GbE)
<b>Processor</b>	Marvell ARMADA A8040 quad core Cortex Arm A72 (up to 2GHz)
<b>Memory &amp; Storage</b>	Up to 16GB DDR4 DIMM 8GB eMMC MicroSD
<b>Display</b>	None
<b>Misc.</b>	GPIO header Indication LEDs User Push Buttons
<b>Development and Debug interfaces</b>	Micro USB
<b>Power</b>	12V
<b>Expansion card I/Os</b>	3 x mPCIe (USB 2.0 + PCIe) with SIM holder
<b>Temperature</b>	Commercial: 0°C to 70°C Industrial: -40°C to 85°C
<b>Dimensions</b>	PCBA: 177 x 110mm Enclosure: 195 x 118 x 32mm
<b>Enclosure</b>	Extruded aluminum



## Ordering Information

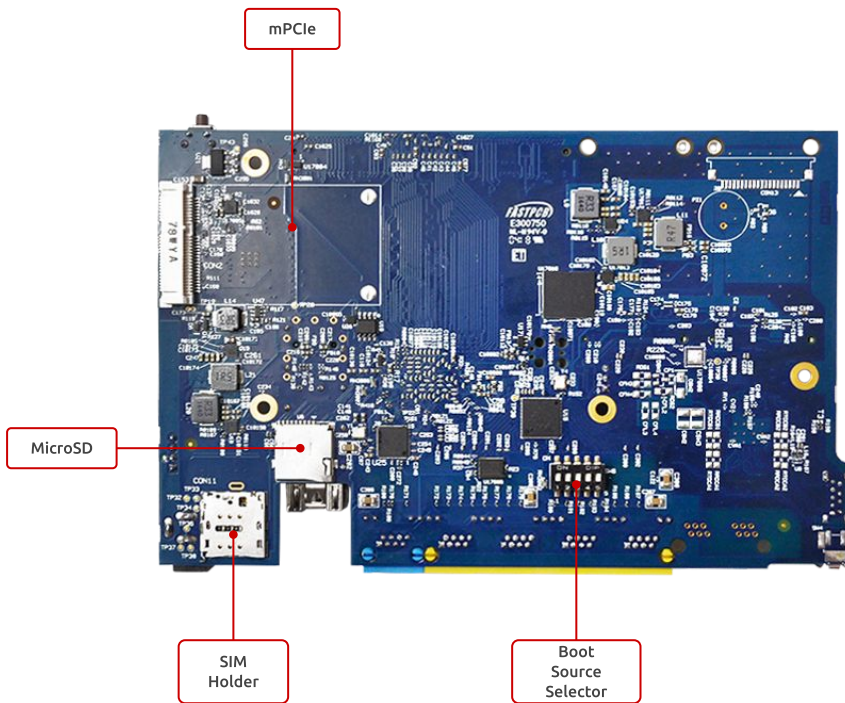
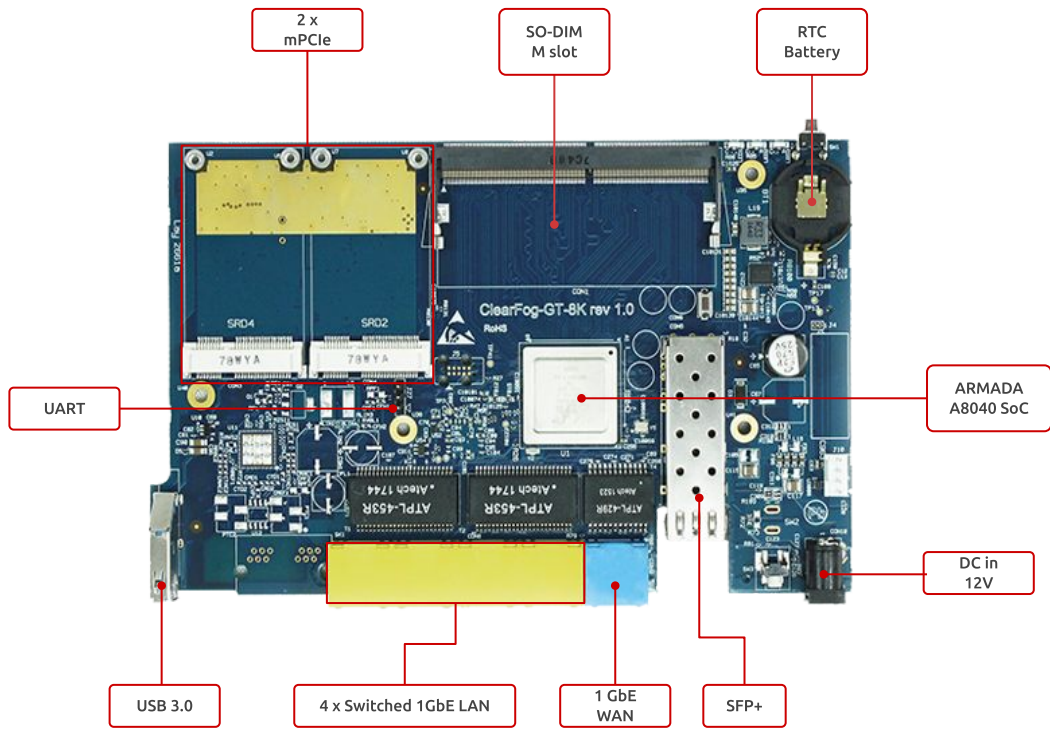
### Available on Shop

SKU	Description
<a href="#">SRM8040S64D00GE008V11GH</a>	ClearFog GT-8K   No RAM   8GB eMMC   Com.Temp   R11
<a href="#">SRM8040S64D04GE008V11GE</a>	ClearFog GT-8K   4GB RAM   8GB eMMC   Com.Temp   R11   Inc. Enclosure

- To choose your ideal configuration see our [Product Configurator Tool](#)

### Accessories:

SKU	Description
<a href="#">MSD016B</a>	MicroSD 16GB
<a href="#">WI00002</a>	USB to Micro USB cable
<a href="#">PA00016</a>	A8040 Power adapter - 220V
<a href="#">PA00015</a>	A8040 Power adapter - 110V
<a href="#">ENCGT01</a>	Ruggedized extruded aluminum (IP32) enclosure 195 x 118 x 32mm – Compatible: ClearFog GT 8K



For more information about the ClearFog GT8K Software/Hardware visit our:

**Developer Center**