



(v) Preliminary Specifications

() Final Specifications

Module	19 Inch Color TFT-LCD
Model Name	G190EAN01.3

<table style="width: 100%; border-collapse: collapse;"> <tr> <td style="width: 50%; text-align: center;">Customer</td> <td style="width: 50%; text-align: center;">Date</td> </tr> <tr> <td style="border-top: 1px solid black; height: 40px;"></td> <td style="border-top: 1px solid black; height: 40px;"></td> </tr> <tr> <td style="text-align: center;">Checked & Approved by</td> <td style="text-align: center;">Date</td> </tr> <tr> <td style="border-top: 1px solid black; height: 40px;"></td> <td style="border-top: 1px solid black; height: 40px;"></td> </tr> </table>	Customer	Date			Checked & Approved by	Date			<table style="width: 100%; border-collapse: collapse;"> <tr> <td style="width: 50%; text-align: center;">Approved by</td> <td style="width: 50%; text-align: center;">Date</td> </tr> <tr> <td style="border-top: 1px solid black; text-align: center;"><i>Crystal Hsieh</i></td> <td style="border-top: 1px solid black; text-align: center;">2016/11/17</td> </tr> <tr> <td style="text-align: center;">Prepared by</td> <td style="text-align: center;">Date</td> </tr> <tr> <td style="border-top: 1px solid black; text-align: center;"><i>Ginger Lin</i></td> <td style="border-top: 1px solid black; text-align: center;">2016/11/17</td> </tr> </table>	Approved by	Date	<i>Crystal Hsieh</i>	2016/11/17	Prepared by	Date	<i>Ginger Lin</i>	2016/11/17
Customer	Date																
Checked & Approved by	Date																
Approved by	Date																
<i>Crystal Hsieh</i>	2016/11/17																
Prepared by	Date																
<i>Ginger Lin</i>	2016/11/17																
Customer's sign back page	General Display Business Division / AU Optronics corporation																

AUO Confidential For PROMATE Internal Use Only On 2017/05/05



Contents

1. Operating Precautions	4
2. General Description	5
2.1 Display Characteristics	5
2.2 Optical Characteristics	6
3. Functional Block Diagram	9
4. Absolute Maximum Ratings	10
4.1 Absolute Ratings of TFT LCD Module	10
4.2 Absolute Ratings of Environment	10
5. Electrical Characteristics	11
5.1 TFT LCD Module	11
5.2 Backlight Unit	13
6. Signal Characteristic	15
6.1 Pixel Format Image	15
6.2 Scanning Direction	15
6.3 Signal Description	16
6.4 The Input Data Format	18
6.5 Interface Timing	19
6.6 Power ON/OFF Sequence	20
7. Reliability Test Criteria	21
8. Mechanical Characteristics	22
8.1 LCM Outline Dimension	22
9. Label and Packaging	24
9.1 Shipping Label (on the rear side of TFT-LCD display)	24
9.2 Carton Package	24

AUO Confidential For PROMATE Internal Use Only On 2017/05/05



1. Operating Precautions

- 1) Since front polarizer is easily damaged, please be cautious and not to scratch it.
- 2) Be sure to turn off power supply when inserting or disconnecting from input connector.
- 3) Wipe off water drop immediately. Long contact with water may cause discoloration or spots.
- 4) When the panel surface is soiled, wipe it with absorbent cotton or soft cloth.
- 5) Since the panel is made of glass, it may be broken or cracked if dropped or bumped on hard surface.
- 6) To avoid ESD (Electro Static Discharge) damage, be sure to ground yourself before handling TFT-LCD Module.
- 7) Do not open nor modify the module assembly.
- 8) Do not press the reflector sheet at the back of the module to any direction.
- 9) In case if a module has to be put back into the packing container slot after it was taken out from the container, do not press the center of the LED light bar edge. Instead, press at the far ends of the LED light bar edge softly. Otherwise the TFT Module may be damaged.
- 10) At the insertion or removal of the Signal Interface Connector, be sure not to rotate nor tilt the Interface Connector of the TFT Module.
- 11) TFT-LCD Module is not allowed to be twisted & bent even force is added on module in a very short time. Please design your display product well to avoid external force applying to module by end-user directly.
- 12) Small amount of materials having no flammability grade is used in the LCD module. The LCD module should be supplied by power complied with requirements of Limited Power Source (IEC60950 or UL1950), or be applied exemption.
- 13) Severe temperature condition may result in different luminance, response time and lamp ignition voltage.
- 14) Continuous operating TFT-LCD display under low temperature environment may accelerate lamp exhaustion and reduce luminance dramatically.
- 15) The data on this specification sheet is applicable when LCD module is placed in landscape position.
- 16) Continuous displaying fixed pattern may induce image sticking. It's recommended to use screen saver or shuffle content periodically if fixed pattern is displayed on the screen.

AUO Confidential For PROMATE Internal Use Only | 2017/05/05



2. General Description

This specification applies to the Color Active Matrix Liquid Crystal Display G190EAN01.3 composed of a TFT-LCD display, a driver and power supply circuit, and a LED backlight system. The screen format is intended to support the SXGA (1280(H) x 1024(V)) screen and 16.7M colors. All input signals are 2-channel LVDS interface compatible. LED driving board for backlight unit is included in G190EAN01.3.

2.1 Display Characteristics

The following items are characteristics summary on the table under 25 °C condition:

Items	Unit	Specifications
Screen Diagonal	[inch]	482.6 (19.0")
Active Area	[mm]	376.32 (H) x 301.06 (V)
Resolution		1280(x3) x 1024
Pixel Pitch	[mm]	0.294 (per one triad) x 0.294
Pixel Arrangement		R.G.B. Vertical Stripe
Display Mode		Normally Black, AHVA
Nominal Input Voltage VDD	[Volt]	+5.0 V
Power Consumption	[Watt]	Logic: max. 4.95 W@ white pattern BL power: max. 11.5 W
Weight	[Grams]	1700 +/- 150g
Physical Size	[mm]	396 (H) x 324 (V) x 15.3 (D) (Typ)
Electrical Interface		LVDS
Surface Treatment		Anti-Glare treatment
Support Color		16.7M colors (8bit)
Temperature Range Operating Storage (Non-Operating)	[°C] [°C]	0 to +50 -20 to +60
RoHS Compliance		Yes

2.2 Optical Characteristics

The optical characteristics are measured under stable conditions at 25 °C (Room Temperature):

Item	Unit	Conditions	Min.	Typ.	Max.	Note
White Luminance	cd/m ²	ILED=60mA(center point)	270	330	---	1
Uniformity	%	9 points	80	---	---	2,3
Contrast Ratio	--		700	1000		4
Response Time	msec	Rising	-	13	18	5
		Falling	-	12	17	
		Rising + Falling	-	25	35	
Viewing Angle	degree	Horizontal CR >= 10	(Right)	85	89	6
			(Left)	85	89	
		Vertical CR >= 10	(Upper)	85	89	
			(Lower)	85	89	
Color / Chromaticity Coordinates (CIE 1931)	--	Red x	0.621	0.651	0.681	
		Red y	0.313	0.343	0.373	
		Green x	0.272	0.302	0.332	
		Green y	0.581	0.611	0.641	
		Blue x	0.125	0.155	0.185	
		Blue y	0.045	0.075	0.105	
		White x	0.283	0.313	0.343	
		White y	0.299	0.329	0.359	
Color Gamut	%		---	72%	---	

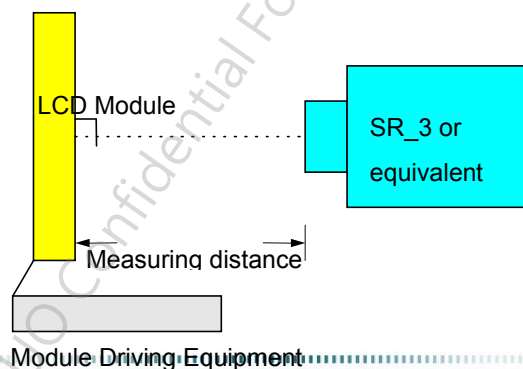
Note 1: Measurement method

Equipment Pattern Generator, Power Supply, Digital Voltmeter, Luminance meter (SR_3 or equivalent)

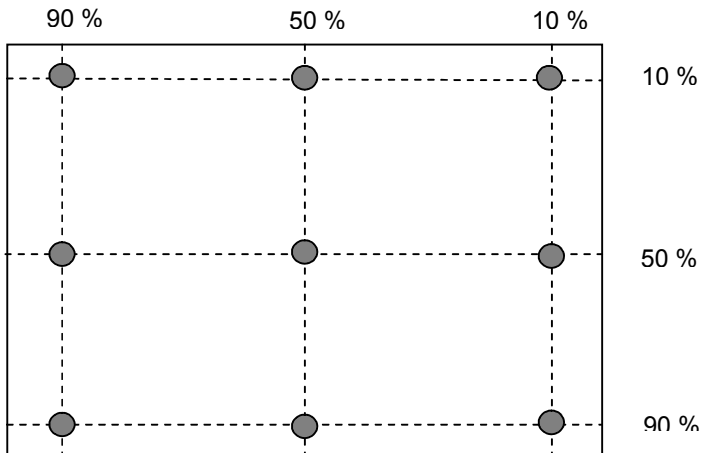
Aperture 1° with 50cm viewing distance

Test Point Center

Environment < 1 lux



Note 2: Definition of 9 points position



Note 3: The luminance uniformity of 9 points is defined by dividing the minimum luminance values by the maximum test point luminance

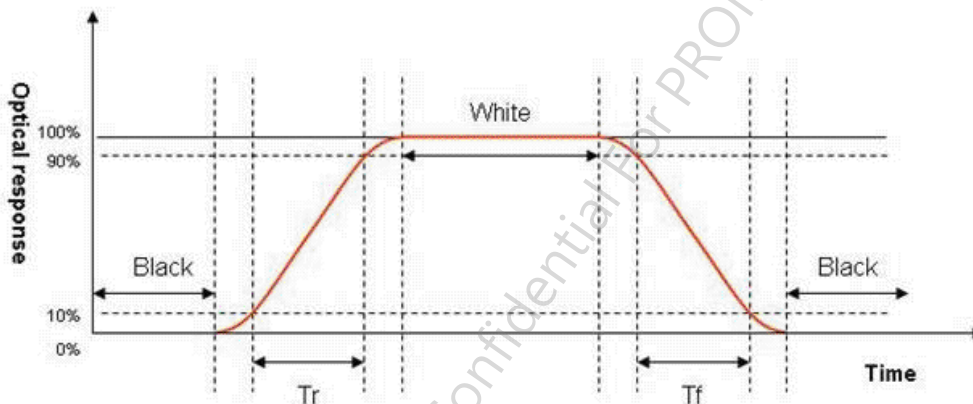
$$\delta_{w9} = \frac{\text{Minimum Brightness of nine points}}{\text{Maximum Brightness of nine points}}$$

Note 4: Definition of contrast ratio (CR):

$$\text{Contrast ratio (CR)} = \frac{\text{Brightness on the "White" state}}{\text{Brightness on the "Black" state}}$$

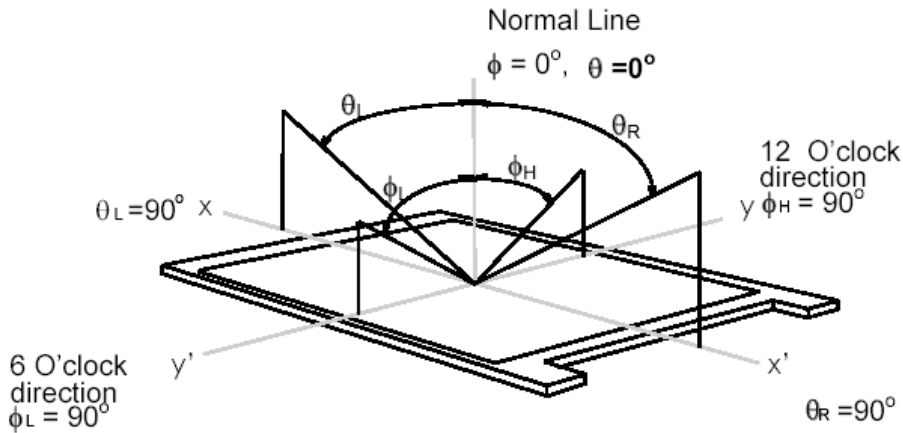
Note 5: Definition of response time:

The output signals of photo detector are measured when the input signals are changed from "White" to "Black" (falling time) and from "Black" to "White" (rising time), respectively. The response time interval is between 10% and 90% of amplitudes. Please refer to the figure as below.



Note 6: Definition of viewing angle

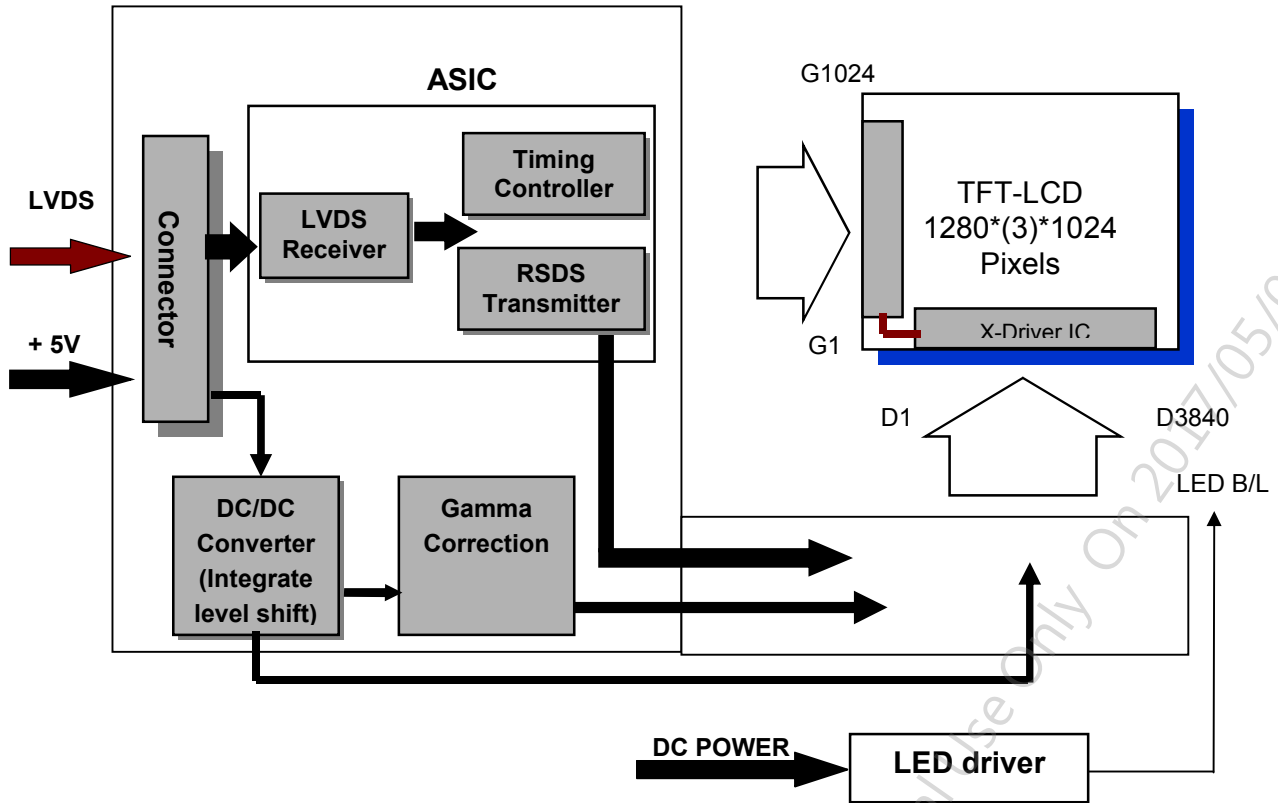
Viewing angle is the measurement of contrast ratio ≥ 10 , at the screen center, over a 180° horizontal and 180° vertical range (off-normal viewing angles). The 180° viewing angle range is broken down as below: 90° (θ) horizontal left and right, and 90° (Φ) vertical high (up) and low (down). The measurement direction is typically perpendicular to the display surface with the screen rotated to its center to develop the desired measurement viewing angle.



AUO Confidential For PROMATE Internal Use Only On 2017/05/05

3. Functional Block Diagram

The following diagram shows the functional block of the 19 inch color TFT/LCD module:



I/F PCB Interface:

FI-XB30SSL-HF15 / MSBKT2407P30HB

Mating Type:

FI-X30HL (Locked Type)

FI-X30H (Unlocked Type)

AUO Confidential For PROMATE Internal Use Only On 2017/05/05

4. Absolute Maximum Ratings

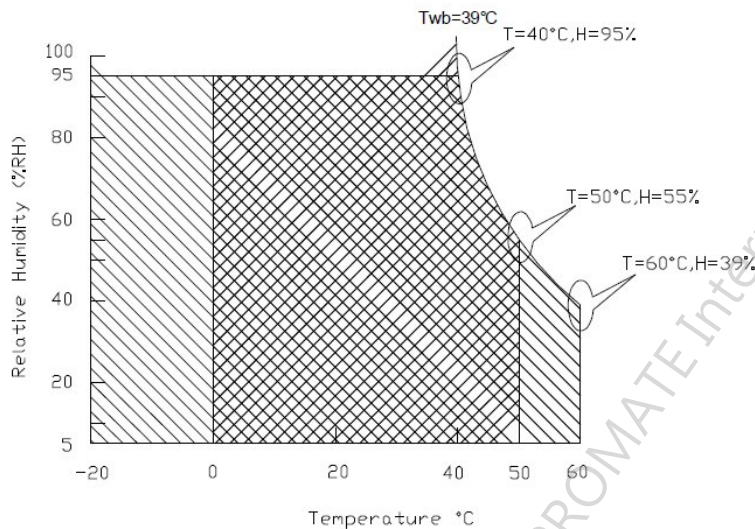
4.1 Absolute Ratings of TFT LCD Module

Item	Symbol	Min	Max	Unit
Logic/LCD drive Voltage	Vin	-0.3	+5.5	[Volt]

4.2 Absolute Ratings of Environment

Item	Symbol	Min	Max	Unit
Operating Temperature	TOP	0	+50	[°C]
Operation Humidity	HOP	5	90	[%RH]
Storage Temperature	TST	-20	+60	[°C]
Storage Humidity	HST	5	90	[%RH]

Note: Maximum Wet-Bulb should be 39 °C and no condensation.



Operating Range  Storage Range  + 

AUO Confidential For PROMATE Internal Use Only On 2017/05/05

5. Electrical Characteristics

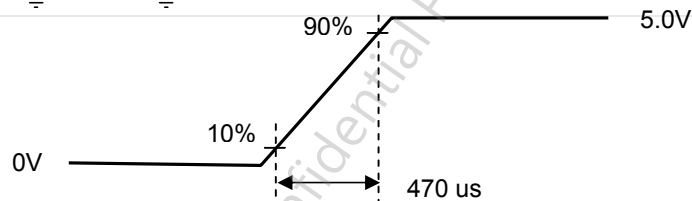
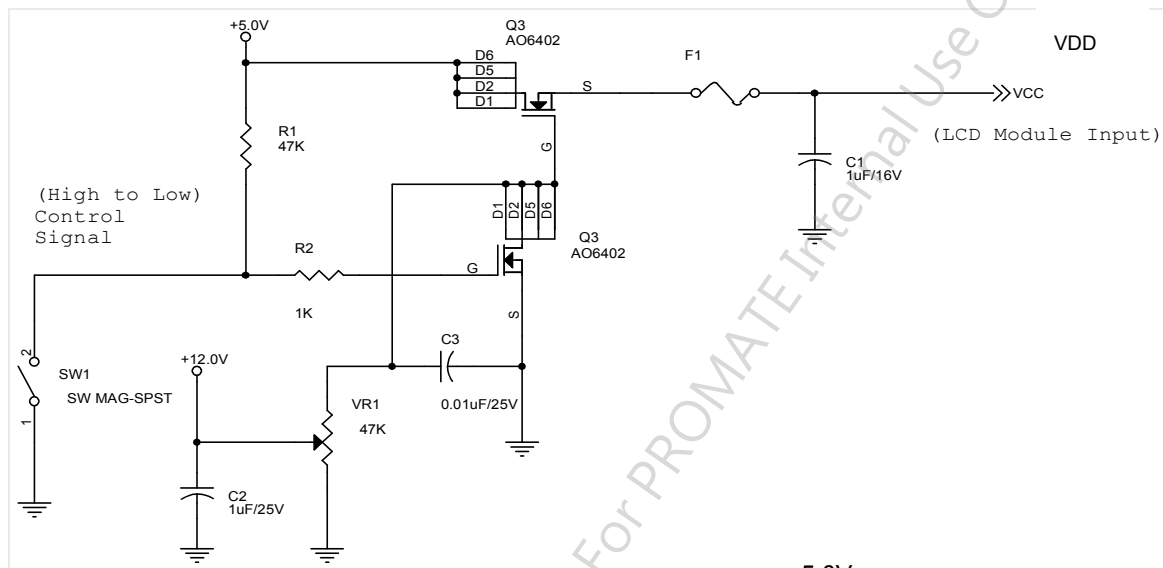
5.1 TFT LCD Module

5.1.1 Power Specification

Input power specifications are shown as follows;

Symbol	Parameter	Min	Typ	Max	Units	Remark
VDD	Logic/LCD Drive Voltage	4.5	5.0	5.5	[Volt]	±10%
IDD	VDD Current	-	0.7	0.9	[mA]	White Pattern (VDD=5V, at 60Hz)
Irush	LCD Inrush Current	-	2.7	3.4	[A]	Note 1
PDD	VDD Power	-	3.5	4.5	[Watt]	White Pattern (VDD=5V, at 60Hz)
VDDrp	Allowable Logic/LCD Drive Ripple Voltage	-	-	300	[mV] p-p	With panel loading

Note 1: Measurement condition:



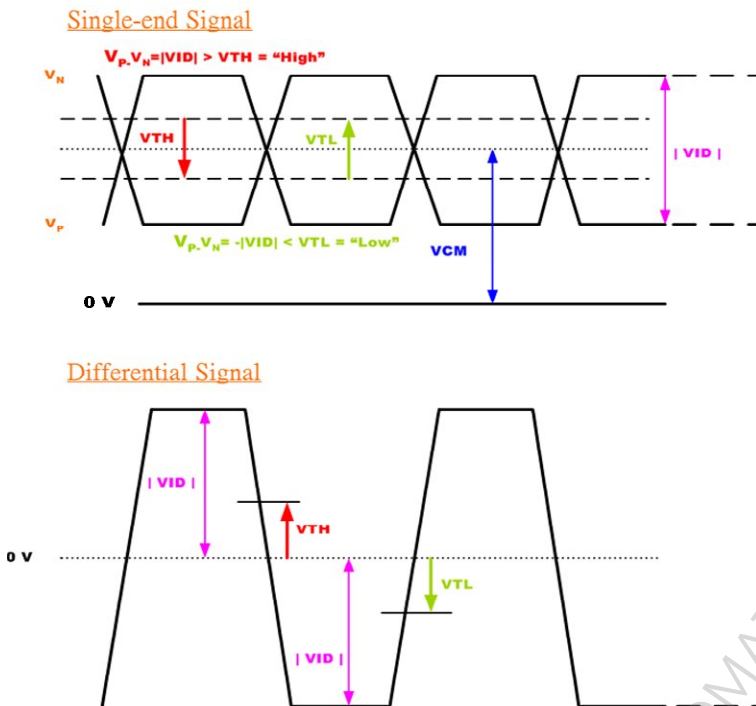
VDD rising time

5.1.2 LVDS DC Signal Electrical Characteristics

Symbol	Item	Min.	Typ.	Max.	Unit	Remark
VTH	Differential Input High Threshold	-	-	+100	[mV]	VCM=1.2V
VTL	Differential Input Low Threshold	-100	-	-	[mV]	VCM=1.2V
VID	Input Differential Voltage	100	400	600	[mV]	
VICM	Differential Input Common Mode Voltage	+1.0	+1.2	+1.5	[V]	VTH/VTL=±100mV

Input signals shall be low or Hi-Z state when VDD is off.

Note: LVDS Signal Waveform.



5.2 Backlight Unit

5.2.1 LED Backlight Unit: Driver Connector

Connector Name / Designation	Lamp Connector
Manufacturer	STM
Connector Model Number	MS24019RHD
Mating Model Number	P24019

Pin #	Symbol	Pin Description
1	+12V	Power +12V
2	+12V	Power +12V
3	+12V	Power +12V
4	NC	NC
5	GND	GND
6	GND	GND
7	GND	GND
8	EN	Enable(0V:disable, 5V:Enable)
9	Dimming	PWM; duty 10%~ 100%

AUO Confidential For PROMATE Internal Use Only On 2017/05/05

5.2.2 Parameter guideline for LED

Following characteristics are measured under a stable condition using an inverter at 25°C (Room Temperature):

LED characteristics

Symbol	Parameter	Min	Typ	Max	Units	Condition
PLED	Backlight Power Consumption	-	10	11.5	[Watt]	LED only
LTLED	LED Life-Time	50,000	--	--	Hour	LED only

Note 1: Calculator value for reference $P_{LED} = V_F$ (Normal Distribution) * I_F (Normal Distribution) / Efficiency

Note 2: The LED life-time define as the estimated time to 50% degradation of initial luminous.

Backlight input signal characteristics

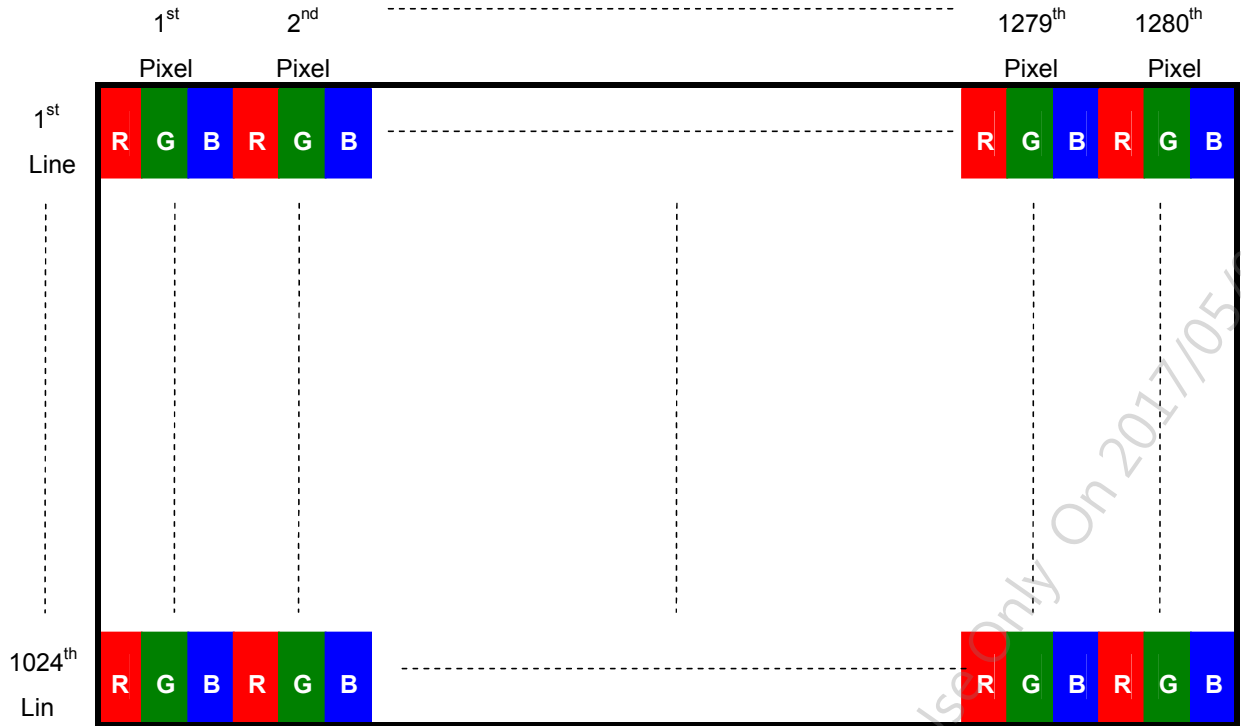
Symbol	Parameter	Min	Typ	Max	Units	Remark
VLED (Note 1)	LED Power Supply	5.0	12.0	21.0	[Volt]	Define as Connector Interface (Ta=25°C)
VLED_EN	LED Enable Input High Level	2.5	--	5.5	[Volt]	
	LED Enable Input Low Level	--	--	0.7	[Volt]	
VPWM_EN	PWM Logic Input High Level	2.5	--	5.5	[Volt]	
	PWM Logic Input Low Level	--	--	0.7	[Volt]	
FPWM	PWM Input Frequency *1	---	0.2K	20K	Hz	
Duty	PWM Duty Ratio	10	--	100	%	

Note1: Measured on panel VLED

6. Signal Characteristic

6.1 Pixel Format Image

Following figure shows the relationship between input signal and LCD pixel format.



6.2 Scanning Direction

The following figures show the image seen from the front view. The arrow indicates the direction of scan.

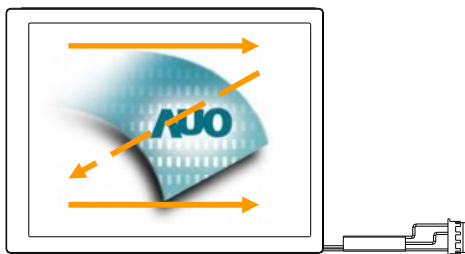


Fig. 1 Normal scan



6.3 Signal Description

The module uses a LVDS receiver embedded in AUO's ASIC. LVDS is a differential signal technology for LCD interface and a high-speed data transfer device.

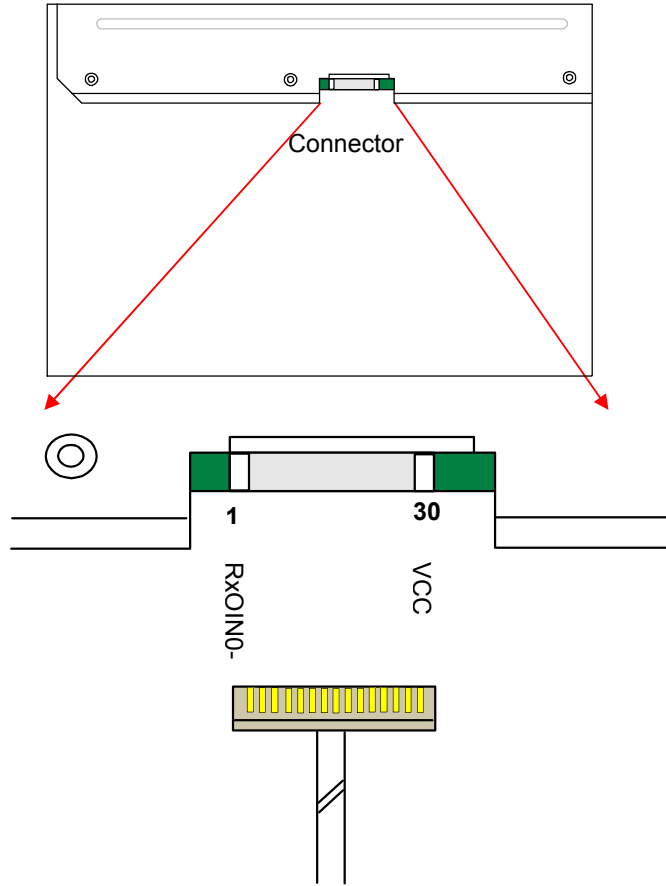
6.3.1 TFT LCD Module: LVDS Connector

Connector Name / Designation	Signal Connector
Manufacturer	JAE / STM
Connector Model Number	FI-XB30SSLA-HF15 / MSBKT2407P30HB
Adaptable Plug	FI-X30HL FI-X30H (Unlocked Type)

Pin#	Signal Name	Pin#	Signal Name
1	RxOIN0-	2	RxOIN0+
3	RxOIN1-	4	RxOIN1+
5	RxOIN2-	6	RxOIN2+
7	VSS	8	RxOCLKIN-
9	RxOCLKIN+	10	RxOIN3-
11	RxOIN3+	12	RxEIN0-
13	RxEIN0+	14	VSS
15	RxEIN1-	16	RxEIN1+
17	VSS	18	RxEIN2-
19	RxEIN2+	20	RxECLKIN-
21	RxECLKIN+	22	RxEIN3-
23	RxEIN3+	24	VSS
25	VSS	26	NC
27	VSS	28	VCC
29	VCC	30	VCC

AUO Confidential For PROMATE Internal Use Only On 2017/05/05

Note1: Start from left side

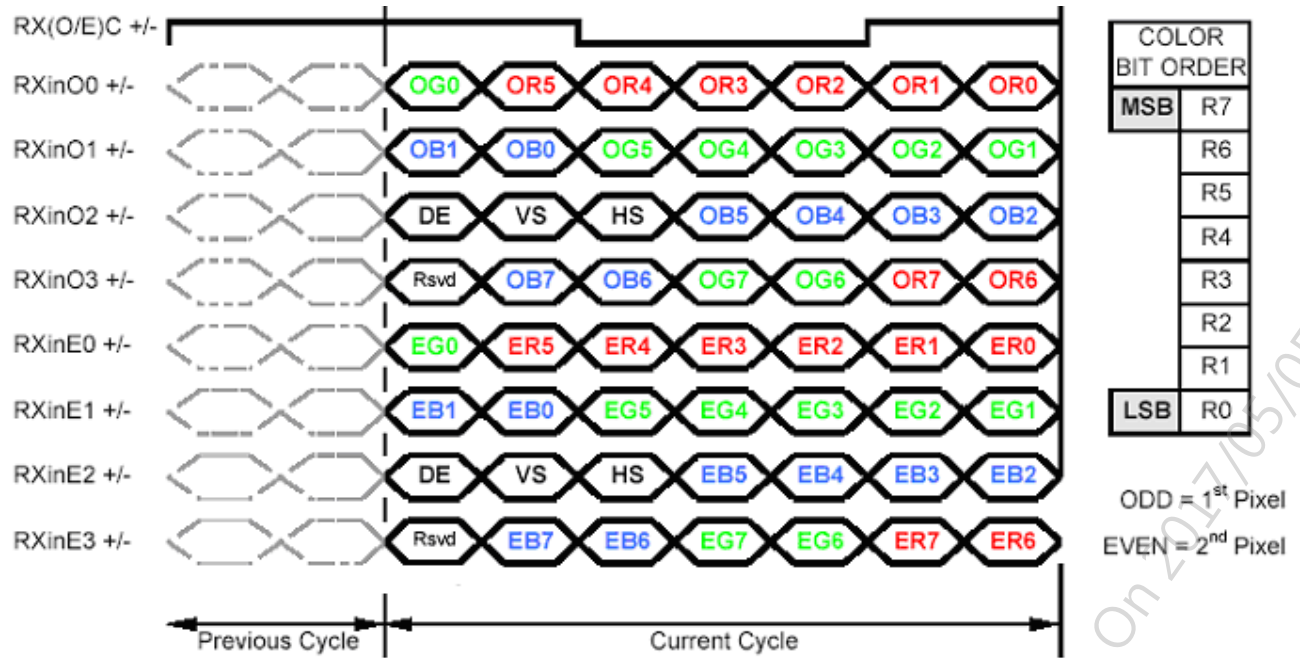


Note2: Input signals of odd and even clock shall be the same timing.

Note3: Please follow VESA.

AUO Confidential For PROMATE Internal Use Only On 2017/05/05

6.4 The Input Data Format



Note1: Normally DE mode only. VS and HS on EVEN channel are not used.

Note2: Please follow VESA.

Note3: 8-bit in

AUO Confidential For PROMATE Internal Use Only On 2017/05/05

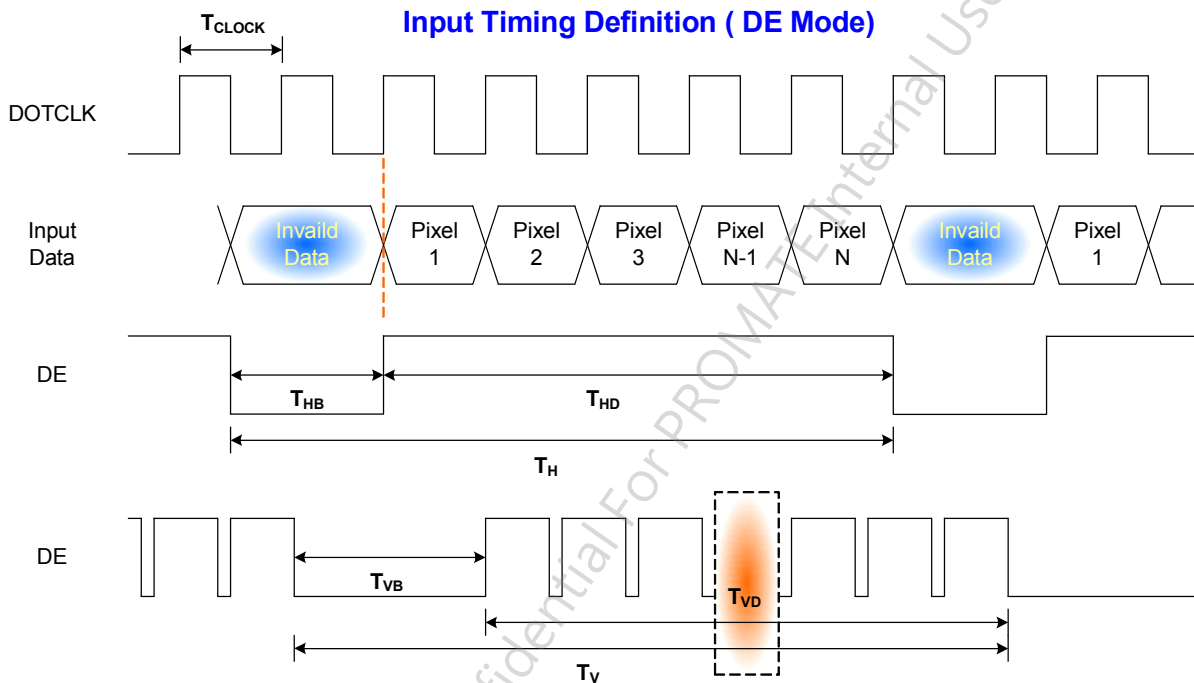
6.5 Interface Timing

6.5.1 Timing Characteristics

Signal	Symbol	Min.	Typ.	Max.	Unit
Clock Frequency	$1/T_{\text{Clock}}$	45	54	67.5	MHz
Vertical Section	Period	T_V	1032	1066	T_{Line}
	Active	T_{VD}	1024	1024	
	Blanking	T_{VB}	8	42	
Horizontal Section	Period	T_H	780	844	T_{Clock}
	Active	T_{HD}	640	640	
	Blanking	T_{HB}	140	204	
Frame Rate	F	50	60	75	Hz

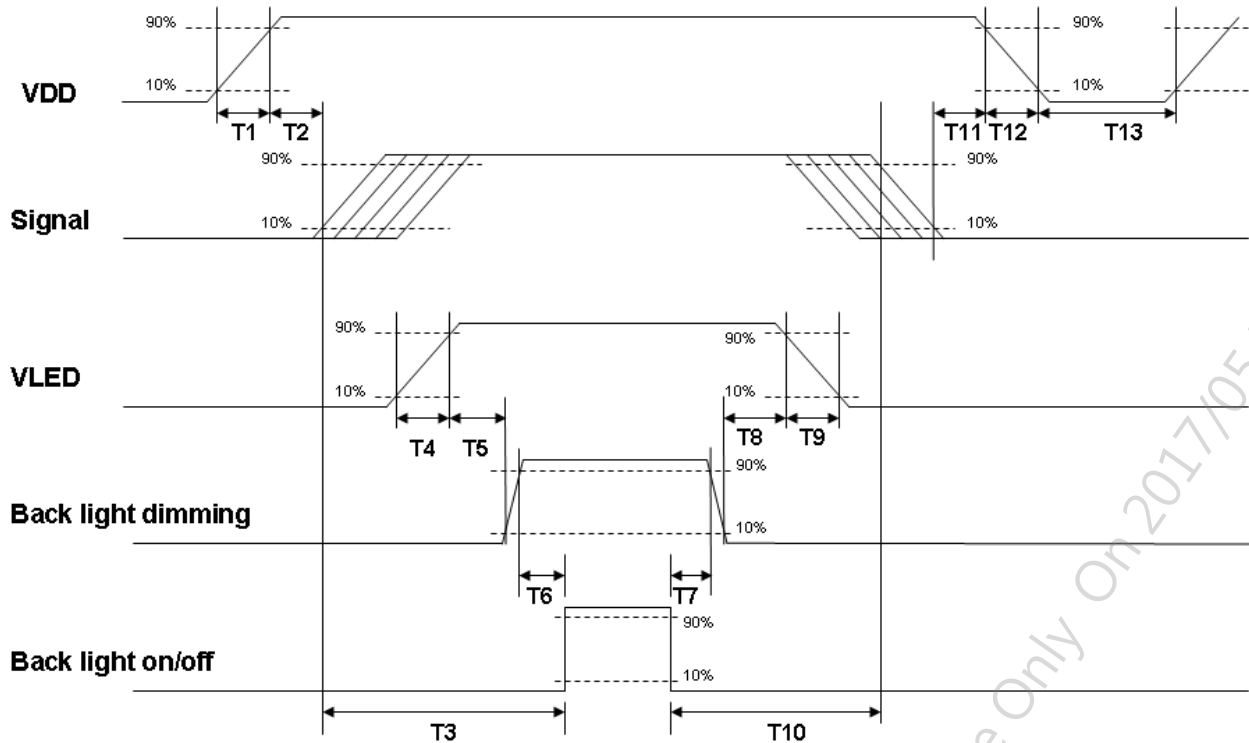
Note : DE mode.

6.5.2 Input Timing Diagram



6.6 Power ON/OFF Sequence

VDD power and lamp on/off sequence is as below. Interface signals are also shown in the chart. Signals from any system shall be Hi-Z state or low level when VDD is off.



Power ON/OFF sequence timing

Parameter	Value			Units
	Min.	Typ.	Max.	
T1	0.5	-	10	[ms]
T2	30	40	50	[ms]
T3	200	-	--	[ms]
T4	0.5	-	10	[ms]
T5	10	-	-	[ms]
T6	10	-	-	[ms]
T7	0	-	-	[ms]
T8	10	-	-	[ms]
T9	-	-	10	[ms]
T10	110	-	-	[ms]
T11	0	16	50	[ms]
T12	0	-	10	[ms]
T13	1000	-	-	[ms]

The above on/off sequence should be applied to avoid abnormal function in the display. Please make sure to turn off the power when you plug the cable into the input connector or pull the cable out of the connector.

7. Reliability Test Criteria

Items	Required Condition	Note
Temperature Humidity Bias	50 °C /80%,300Hr	
High Temperature Operation	50 °C, 300Hr (center point of panel surface)	
Low Temperature Operation	0 °C, 300Hr	
Hot Storage	60 °C, 300 hours	
Cold Storage	-20 °C, 300 hours	
Thermal Shock Test	-20 °C /30 min ,60 °C /30 min ,100cycles, 40 °C minimum ramp rate	
Shock Test (Non-Operating)	50G,20ms,Half-sine wave,(+X,+Y,+Z)	
Vibration Test (Non-Operating)	1.5G, 10~200~10Hz, Sine wave 30mins/axis, 3 direction (X, Y, Z)	
ESD	Contact : ± 8KV/ operation, Class B Air : ± 15KV / operation, Class B	Note 1

Note1: According to EN61000-4-2 , ESD class B: Some performance degradation allowed. No data lost
 . Self-recoverable. No hardware failures.

Note2:

- Water condensation is not allowed for each test items.
- Each test is done by new TFT-LCD module. Don't use the same TFT-LCD module repeatedly for reliability test.
- The reliability test is performed only to examine the TFT-LCD module capability.
- To inspect TFT-LCD module after reliability test, please store it at room temperature and room humidity for 24 hours at least in advance.
- No function failure occurs.

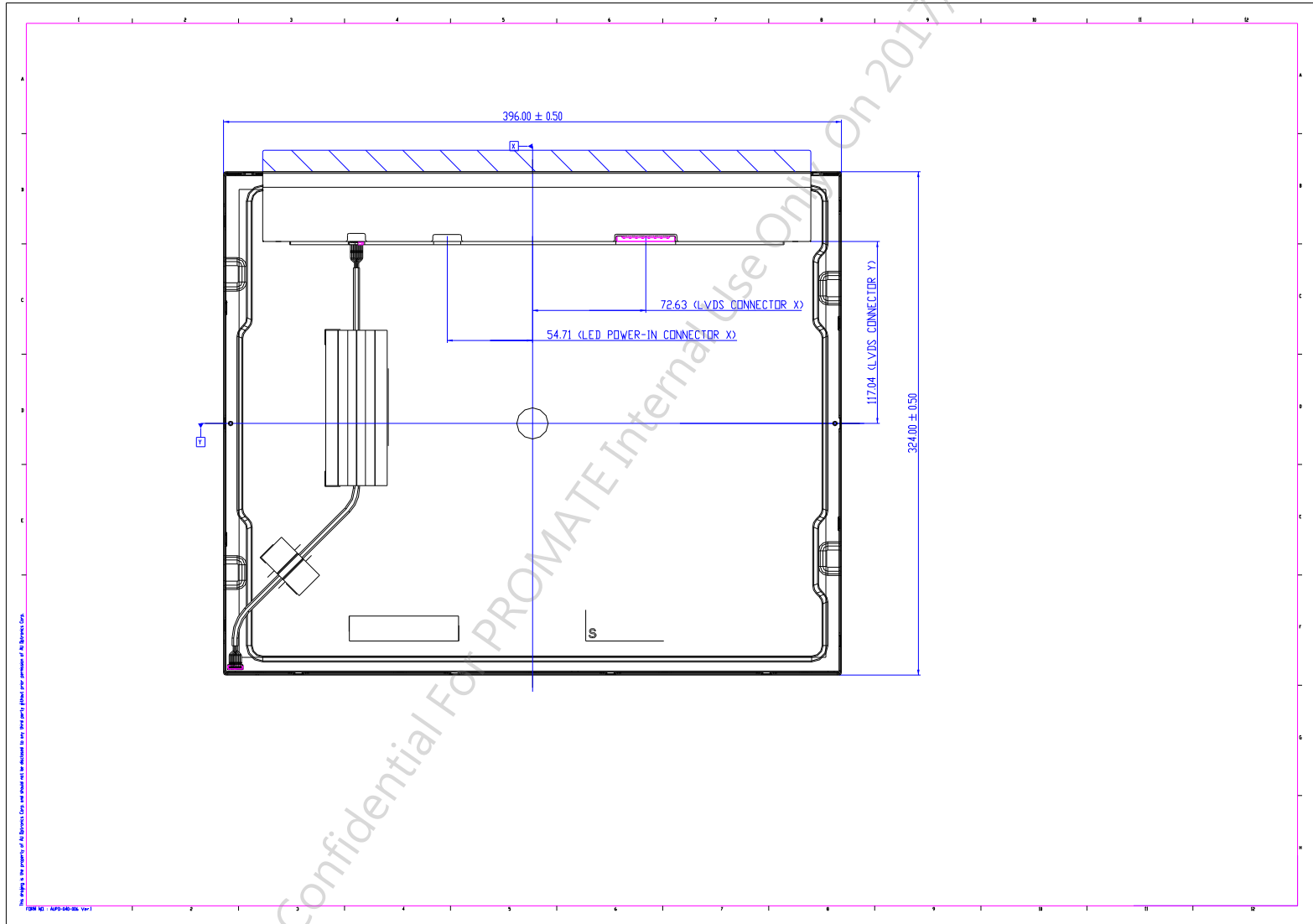
AUO Confidential For PROMATE Internal Use Only On 2017/05/05



Product Specification

AU OPTRONICS CORPORATION

G190EAN01.3

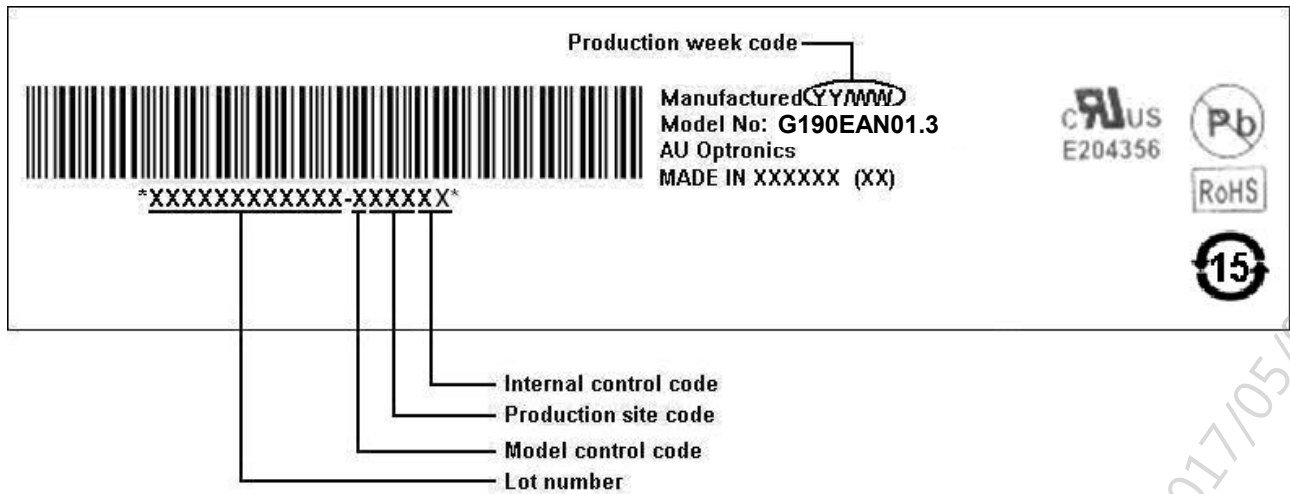


G190EAN01.3 ver.0.1

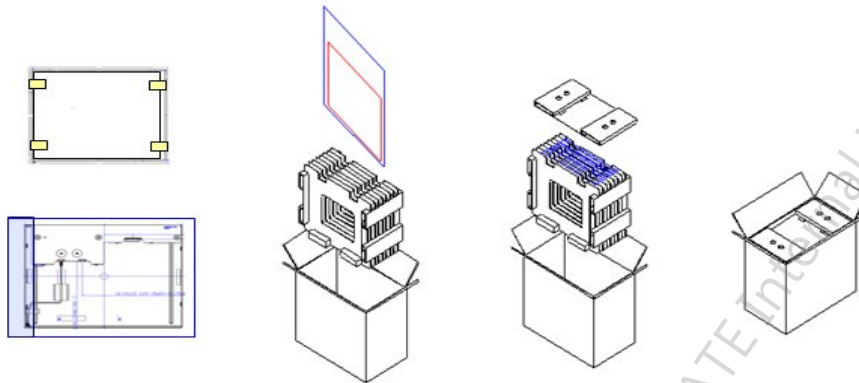
23/24

9. Label and Packaging

9.1 Shipping Label (on the rear side of TFT-LCD display)



9.2 Carton Package



Max capacity : 7 PCS TFT-LCD module per carton

Max weight: 18.6 kg per carton

Outside dimension of carton: 476mm(L)* 274mm(W)*414mm(H)

Pallet size : 1140 mm * 980 mm * 135mm

Box stacked

Module by air_Max : (2 *4) *3 layers , one pallet put 24 boxes , total 168pcs module

Module by sea_Max : (2 *4) *3 layers + (2 *4) *1 layers , two pallet put 32 boxes , total 224pcs module

Module by sea_HQ_Max : (2 *4) *3 layers+(2 *4) *2 layers, two pallet put 40 boxes, total 280pcs module