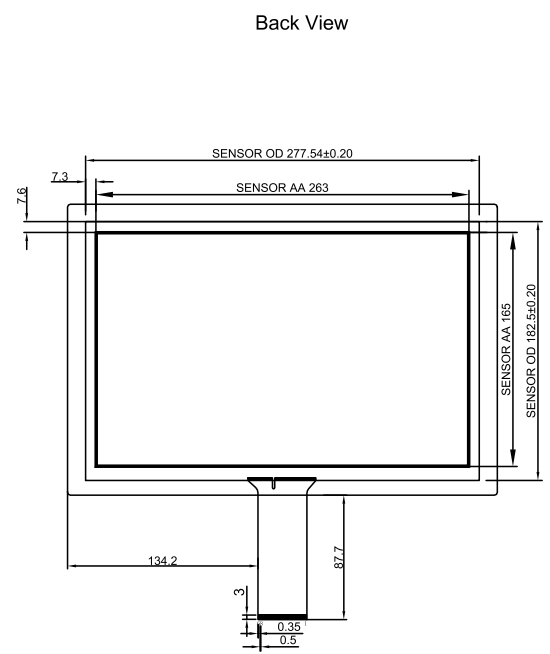
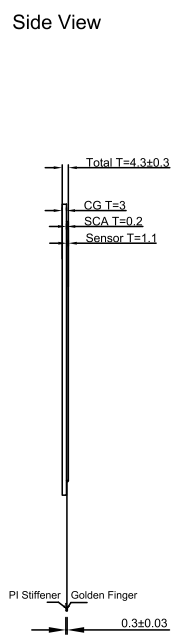
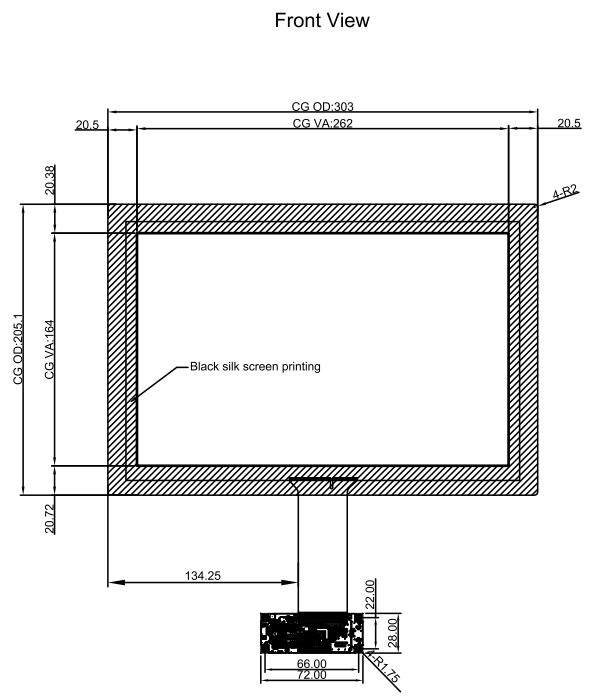


Ver.	Modify No.	Details	Area	P.I.C	Date



Technical Datasheet:

1. Structure: Cover Glass + SCA + ITO Glass
2. Controller: BTP-GG-CTR-ILI-121B-R06 COB
3. Controller IC: ILI 2511
4. Cover Glass: T=3mm, Surface hardness ≥6H
5. Light transmittance: ≥85%
6. Working Temperature: -20°C~+70°C, ≤85%RH;
7. Storage Temperature: -30°C~+80°C, ≤85%RH;
8. Unmarked Tolerance: ± 0.3 mm;
9. All material used conform to RoHS standards

Part No.		SNT-ITO-TPB-12.1-ILI-R06			
Product Name:		12.1 inch Touch Panel		Drawing No.	G121220628R06
				Project Code.	G121R06
Designed by:		Curry.Wang		Business Unit:	SNT-BTP
Checked by:		Betty.Fu		Period Mark	A
Approved by:		Cale.Chen		View Angle	1:1
Workmanship:		Tina.Xin		BOM Code	1.12.121.02.0106
Standardization:		Link.Chen		Page 1	Total 1 Page
Released by:		Rocky.Liu		Product Series	BTP-GG
				思诺泰科电子(苏州)有限公司 SINOTRONICS INC.	