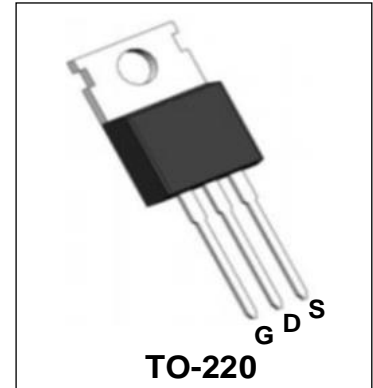


80V N-Channel Enhancement Mode Power MOSFET

Description

WMK040N08HGS uses Wayon's advanced power trench MOSFET technology that has been especially tailored to minimize the on-state resistance and yet maintain superior switching performance. This device is well suited for high efficiency fast switching applications.

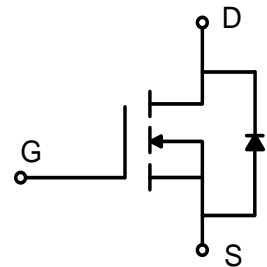


Features

- $V_{DS} = 80V$, $I_D = 180A$
 $R_{DS(on)} < 4.8m\Omega @ V_{GS} = 10V$
- Green Device Available
- Low Gate Charge
- 100% EAS Guaranteed

Applications

- Power Management Switches
- DC/DC Converter
- Battery Management System



Absolute Maximum Ratings (Tc = 25°C, unless otherwise noted)

Parameter		Symbol	Value	Unit
Drain-Source Voltage		V_{DS}	80	V
Gate-Source Voltage		V_{GS}	±20	V
Continuous Drain Current	Tc=25°C	I_D	180	A
	Tc=100°C		114	
Pulsed Drain Current ⁴		I_{DM}	720	A
Single Pulse Avalanche Energy ³		EAS	320	mJ
Total Power Dissipation	Tc=25°C	P_D	227.3	W
Operating Junction and Storage Temperature Range		T_J, T_{STG}	-55 to 150	°C

Thermal Characteristics

Parameter	Symbol	Value	Unit
Thermal Resistance from Junction-to-Ambient ¹	$R_{\theta JA}$	52	°C/W
Thermal Resistance from Junction-to-Case	$R_{\theta JC}$	0.55	°C/W

Electrical Characteristics (T_c = 25°C, unless otherwise noted)

Parameter	Symbol	Test Conditions	Min.	Typ.	Max.	Unit	
Static Characteristics							
Drain-Source Breakdown Voltage	V_{(BR)DSS}	V _{GS} = 0V, I _D = 250μA	80	-	-	V	
Gate-body Leakage current	I_{GSS}	V _{DS} = 0V, V _{GS} = ±20V	-	-	±100	nA	
Zero Gate Voltage Drain Current	I_{DSS}	V _{DS} = 80V, V _{GS} = 0V	T _J = 25°C	-	-	1	μA
			T _J = 100°C	-	-	100	
Gate-Threshold Voltage	V_{GS(th)}	V _{DS} = V _{GS} , I _D = 250μA	2	3	4	V	
Drain-Source on-Resistance ²	R_{DS(on)}	V _{GS} = 10V, I _D = 20A	-	3.5	4.8	mΩ	
Forward Transconductance ²	g_{fs}	V _{DS} = 10V, I _D = 20A	-	85	-	S	
Dynamic Characteristics							
Input Capacitance	C_{iss}	V _{DS} = 40V, V _{GS} = 0V, f = 1MHz	-	5235	-	pF	
Output Capacitance	C_{oss}		-	985	-		
Reverse Transfer Capacitance	C_{rss}		-	58	-		
Switching Characteristics							
Gate Resistance	R_g	V _{GS} = 0V, V _{DS} = 0V, f = 1MHz	-	0.8	-	Ω	
Total Gate Charge	Q_g	V _{GS} = 10V, V _{DS} = 40V, I _D = 20A	-	78.5	-	nC	
Gate-Source Charge	Q_{gs}		-	19.6	-		
Gate-Drain Charge	Q_{gd}		-	17	-		
Turn-on Delay Time	t_{d(on)}	V _{GS} = 10V, V _{DS} = 40V, R _G = 3Ω, I _D = 20A	-	15.4	-	ns	
Rise Time	t_r		-	13	-		
Turn-off Delay Time	t_{d(off)}		-	34	-		
Fall Time	t_f		-	6.2	-		
Drain-Source Body Diode Characteristics							
Diode Forward Voltage ²	V_{SD}	I _S = 20A, V _{GS} = 0V	-	-	1.2	V	
Continuous Source Current ^{1,5}	I_S	V _G = V _D = 0V, Force Current	-	-	180	A	
Body Diode Reverse Recovery Time	t_{rr}	I _F = 20A, dI/dt = 100A/μs	-	57	-	ns	
Body Diode Reverse Recovery Charge	Q_{rr}		-	114	-	nC	

Notes:

- The data tested by surface mounted on a 1 inch² FR-4 board with 20Z copper.
- The data tested by pulsed, pulse width ≤ 300us, duty cycle ≤ 2%
- The EAS data shows Max. rating. The test condition is V_{DD} = 35V, V_{GS} = 10V, L = 0.4mH, I_{AS} = 40A
- Repetitive rating, pulse width limited by junction temperature T_{J(MAX)} = 150°C.
- The data is theoretically the same as I_D and I_{DM}, in real applications, should be limited by total power dissipation.

Typical Characteristics

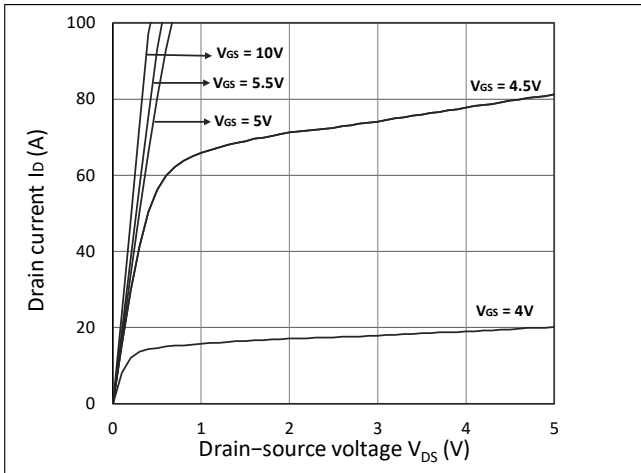


Figure 1. Output Characteristics

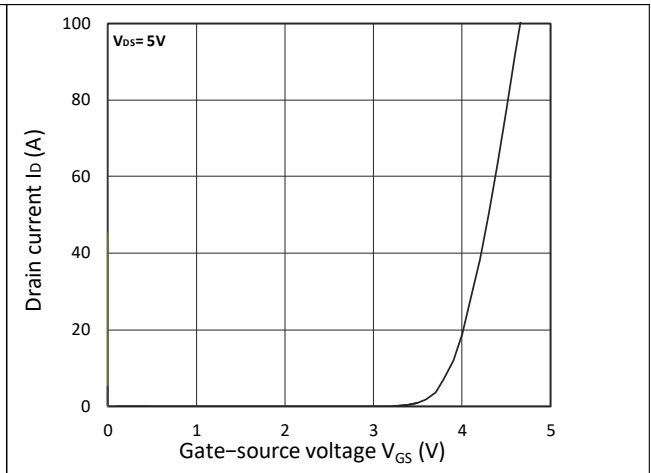


Figure 2. Transfer Characteristics

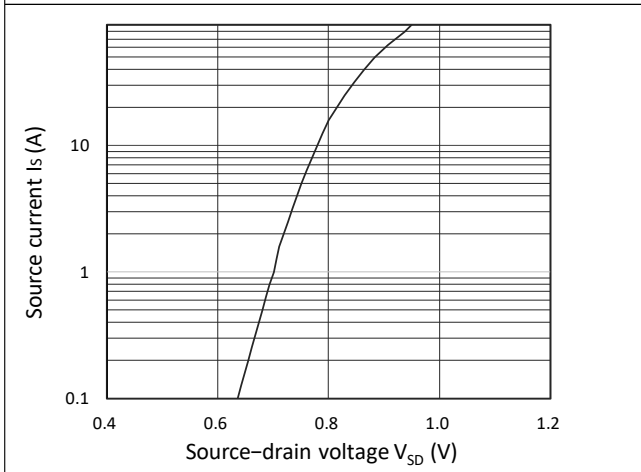


Figure 3. Forward Characteristics of Reverse

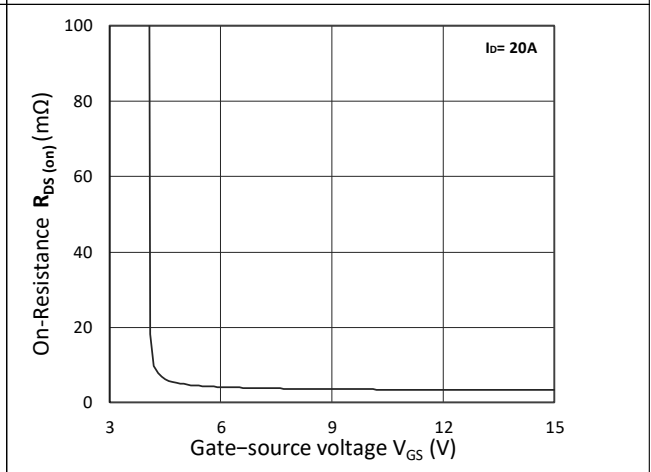


Figure 4. $R_{DS(ON)}$ vs. V_{GS}

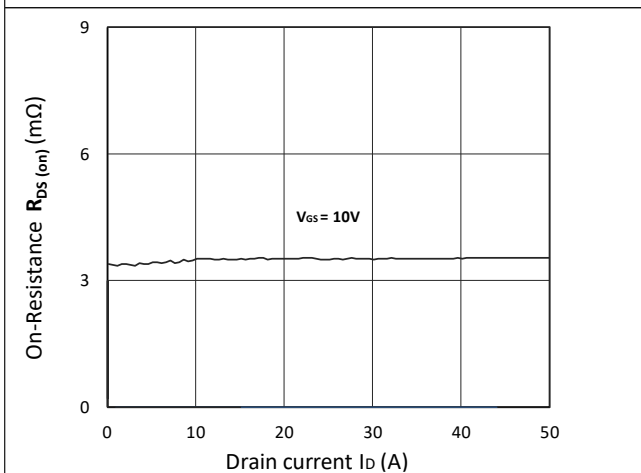


Figure 5. $R_{DS(ON)}$ vs. I_D

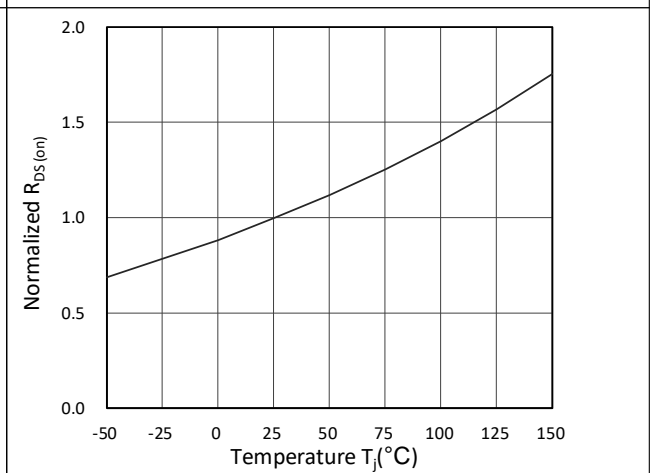


Figure 6. Normalized $R_{DS(ON)}$ vs. Temperature

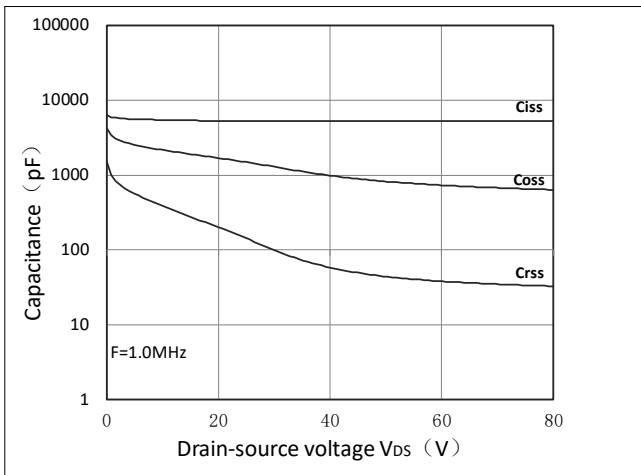


Figure 7. Capacitance Characteristics

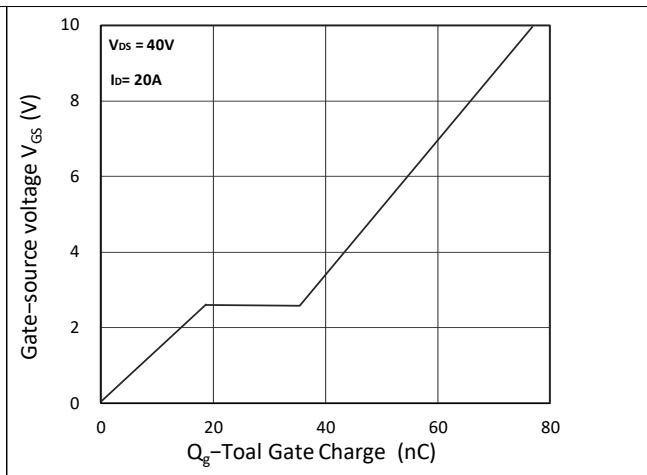


Figure 8. Gate Charge Characteristics

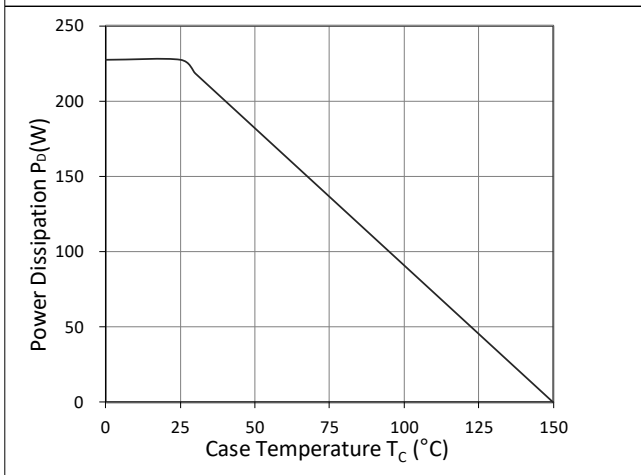


Figure 9. Power Dissipation

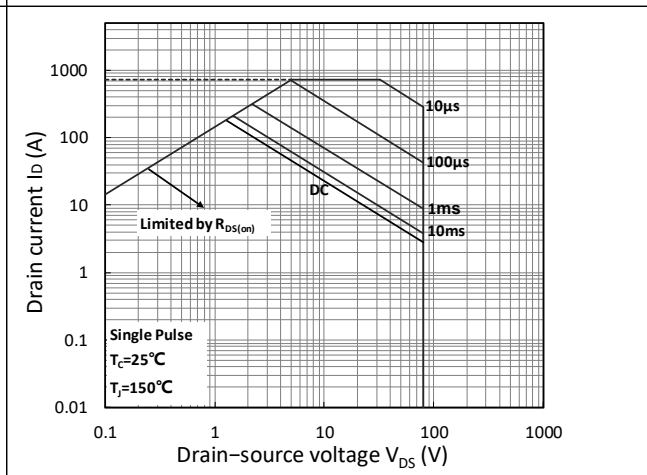


Figure 10. Safe Operating Area

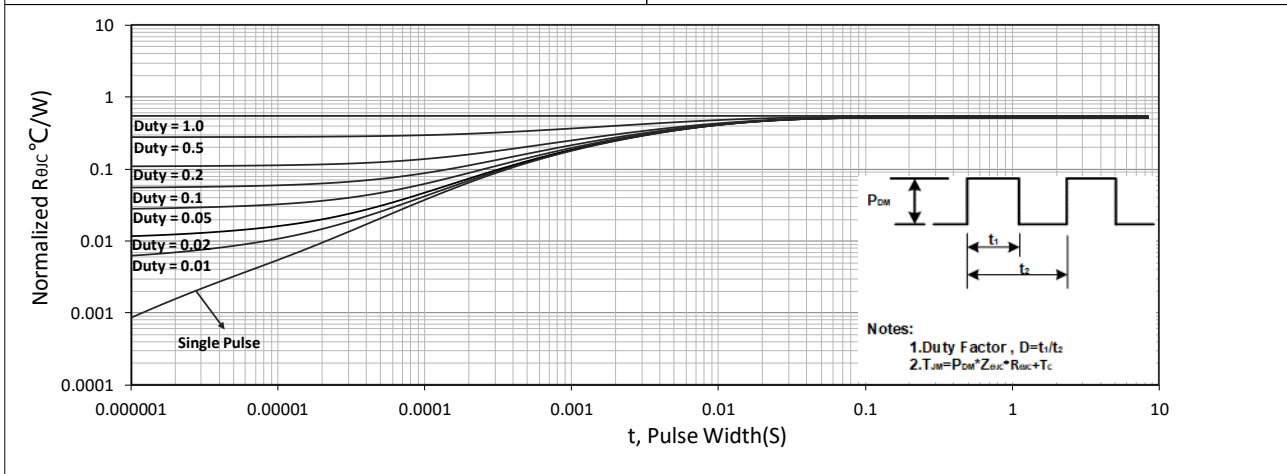


Figure 11. Normalized Maximum Transient Thermal Impedance

Test Circuit

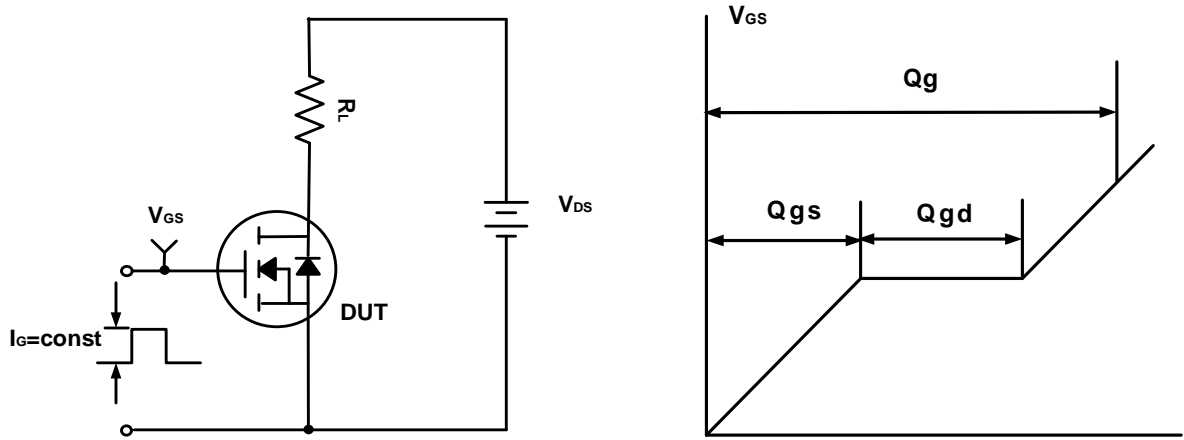


Figure A. Gate Charge Test Circuit & Waveforms

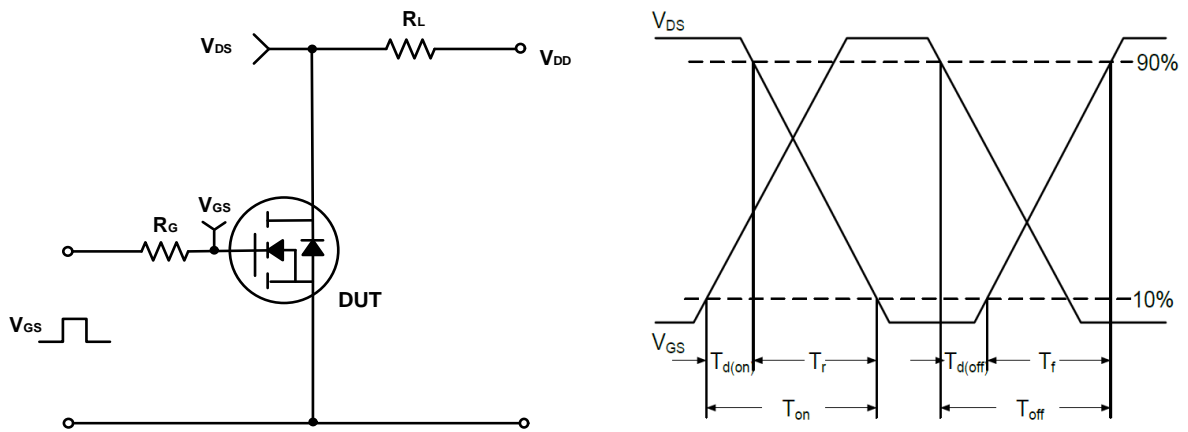


Figure B. Switching Test Circuit & Waveforms

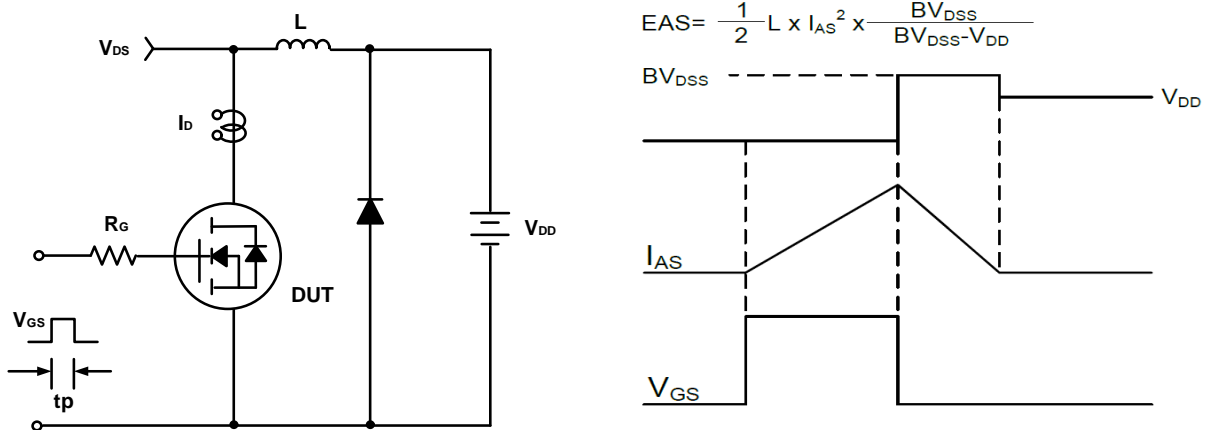
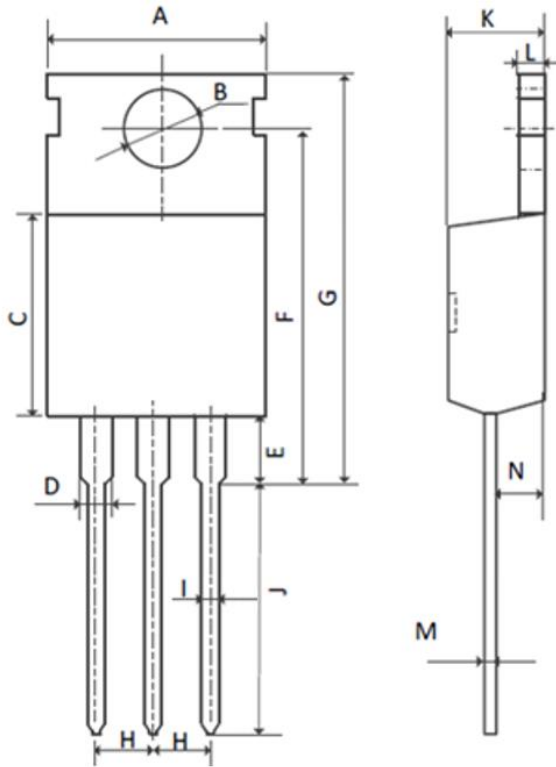


Figure C. Unclamped Inductive Switching Circuit & Waveforms

Mechanical Dimensions for TO-220

COMMON DIMENSIONS

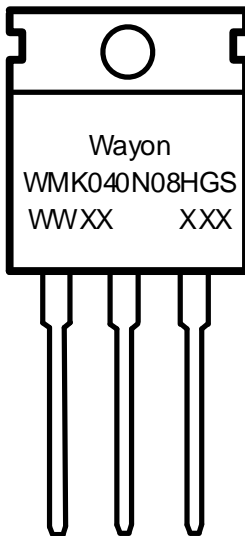


SYMBOL	MM	
	MIN	MAX
A	9.70	10.30
B	3.40	3.80
C	8.80	9.40
D	1.17	1.47
E	2.60	3.50
F	15.10	16.70
G	19.55MAX	
H	2.54REF	
I	0.70	0.95
J	9.35	11.00
K	4.30	4.77
L	1.20	1.45
M	0.40	0.65
N	2.20	2.60

Ordering Information

Part	Package	Marking	Packing method
WMK040N08HGS	TO-220	WMK040N08HGS	Tube

Marking Information



WMK040N08HGS = Device code

WWXX XXX= Date code

Contact Information

No.1001, Shiwan(7) Road, Pudong District, Shanghai, P.R.China.201207

Tel: 86-21-50310888 Fax: 86-21-50757680 Email: market@way-on.com

WAYON website: <http://www.way-on.com>

For additional information, please contact your local Sales Representative.

WAYON® is registered trademarks of Wayon Corporation.

Disclaimer

WAYON reserves the right to make changes without further notice to any Products herein to improve reliability, function, or design. The Products are not designed for use in hostile environments, including, without limitation, aircraft, nuclear power generation, medical appliances, and devices or systems in which malfunction of any Product can reasonably be expected to result in a personal injury. The information given in this document shall in no event be regarded as a guarantee of conditions or characteristics. WAYON does not assume any liability for infringement of patents, copyrights, or other intellectual property rights of third parties by or arising from the use of Products or technical information described in this document.