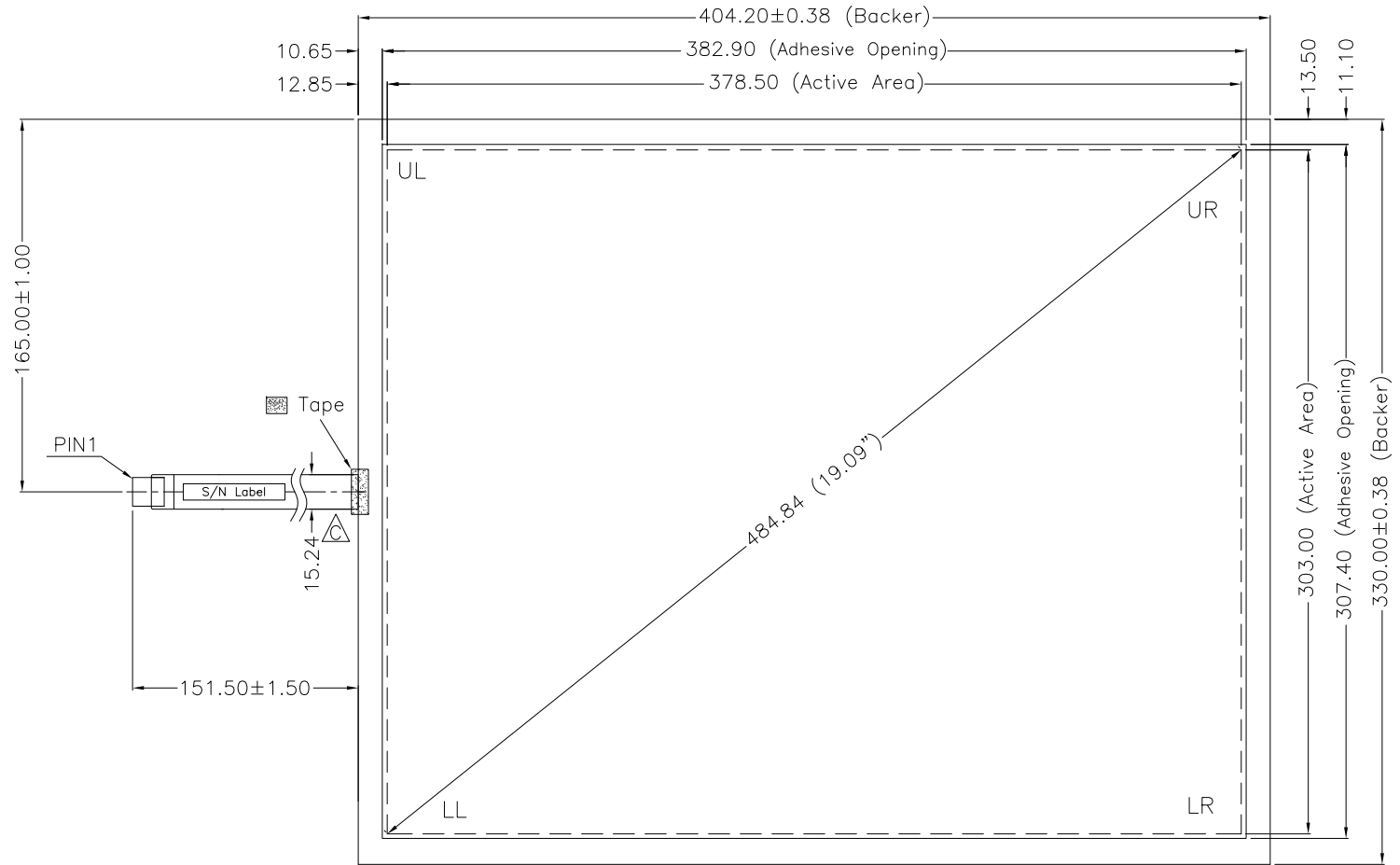
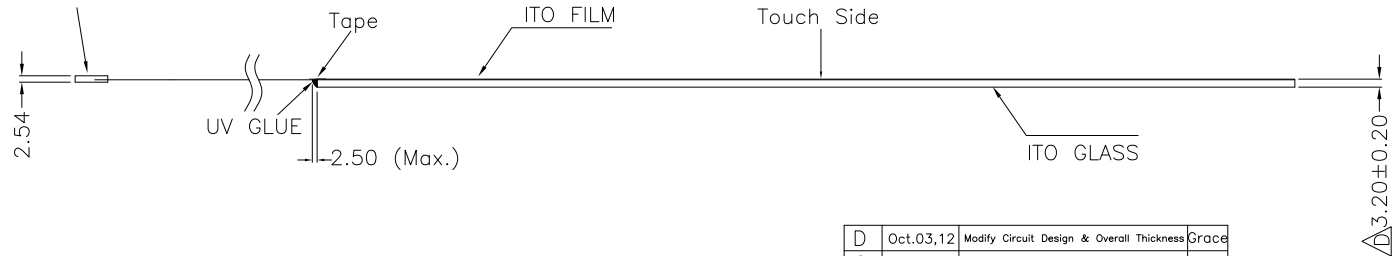


TOUCH SIDE VIEW

Pin#	Assignment
1	UR
2	LR
3	S
4	UL
5	LL



5 Pin 2.54mm Pitch Female Connector



NOTES:

1. ITO GLASS THICKNESS : 2.80mm
 2. OVERALL THICKNESS : 3.20±0.20mm Δ
 3. CONNECTOR AND PINOUT AS INDICATED
 4. FRONT SURFACE : ANTI-GLARE
 5. TAIL TYPE : FPC WITH CONNECTOR AMP-COMPATIBLE ELECTRO TIN PLATED CONTACT
 6. OTHER SPEC : SEE APPROVAL SHEET
- *BEFORE DESIGN PLEASE REFER TO THE INTEGRATION GUIDE

NO.	DATE	DESCRIPTION	CHK
D	Oct.03,12	Modify Circuit Design & Overall Thickness	Grace
C	May.13,09	Modify To Anti-Corrosive Design	Alex
B	Dec.05,06	PATTERN MODIFIED	Alex
A	Jul.05,06	Add through hole area	Alex

REVISION			
CHIEF OF DESIGN		APPROVED	Grace
ENGINEER		PROJECT MANAGER	
DRAWN BY	Betty	DATE	Apr. 30, 2013

SHT 1 OF 1



Apex Material Technology Corp.

TOLERANCES UNLESS SPECIFIED		DWG NO : 02511-4-011
.X	± 0.50	
.XX	± 0.50	
.XXX	± 0.30	
ANGULAR	.	

SCALE: 1:1 UNIT: mm