



倍仕得电气科技(杭州)股份有限公司

BEISIT ELECTRIC TECH (HANGZHOU) CO., LTD

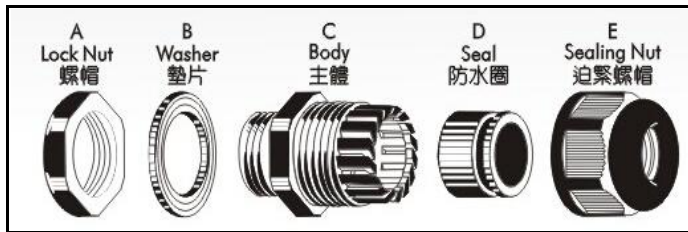
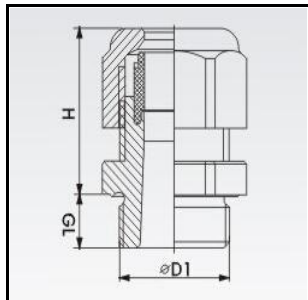
1, Tangmei RD., Yuhang Economic-Technological Development Area, Hangzhou, Zhejiang 311100, China

TEL: 86-571-8936 2888 FAX: 86-571-8936 2999

# PRODUCT SPECIFICATION

**PRODUCT NAME:** M Type Nylon cable gland  
**ITEM NO.:** B-M1207(M12X1.5)  
**CABLE RANGE:** 3-6.5mm  
**MATERIAL:** Nylon  
**WORKING TEMP.:** -40 °C to 80°C  
**PROTECTION DEGREE:** IP68

**DRAWING:**



**Datasheet:**

Thread	Cable Range (mm)	H (mm)	GL (mm)	Wrench size (mm)		
				Sealing Nut	Body	Lock Nut
M12 x 1.5	3 - 6.5	22±0.3	8	15.6±0.3	16.1±0.3	17±0.3

- APPLICATION FIELD:**
1. Electric Power Set
  2. Roll Transit (Railway of High Speed)
  3. Wind Energy, Solar Energy
  4. Safety Protection
  5. Outdoor Lighting
  6. Oil and Gas Field
  7. Heavy Duty Connectors
  8. Lathe Equipments

