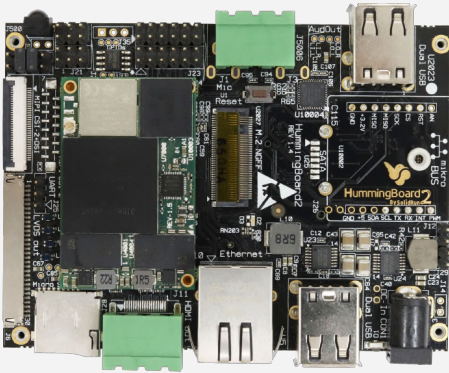


# HummingBoard CBI SBC

Up to 4 x Arm Cortex-A9 cores

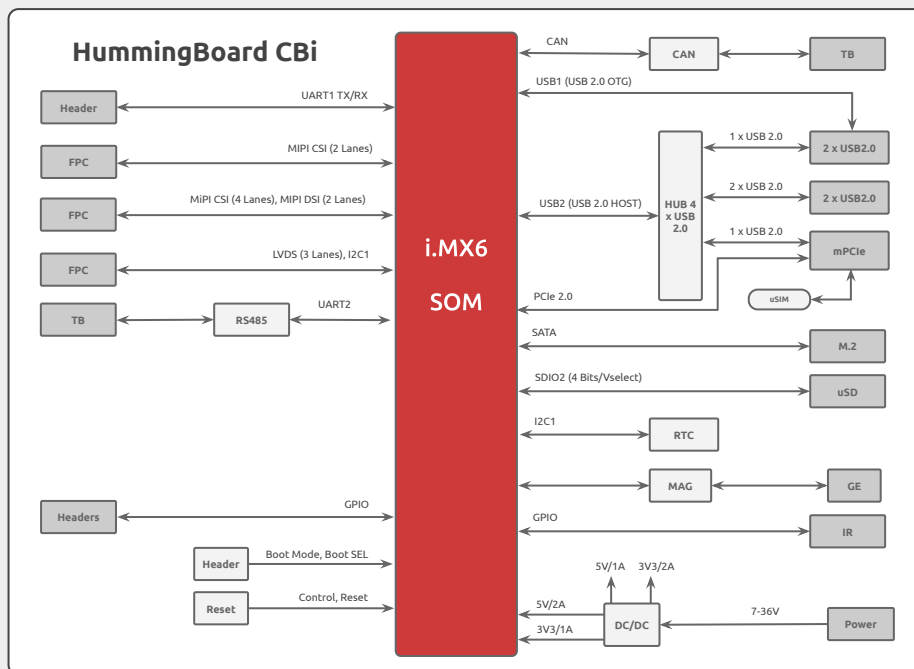


- SoC: NXP i.MX6 based Solo to Quad Core SOM Cortex A9
- Memory: Up to 2GB
- Storage: 8GB eMMC
- Temperature: Industrial (-40C to 85C)
- OS: Linux



	HummingBoard CBI
<b>I/O</b>	4 x USB 2.0 1 x MIPI-CSI-2 1 X CAN bus 1 x RS485
<b>CPU Type</b>	1 x Ethernet RJ45 10/100/1000 (max 470 MB/s) 1 x 802.11 a/b/g/n WiFi and Bluetooth (2.4 GHz)
<b>Processor</b>	NXP i.MX 6M Single to Quad core Arm Cortex A9 up to 1GHz
<b>Memory &amp; Storage</b>	Up to 2GB DDR3 8GB eMMC MicroSD
<b>Display</b>	LVDS MIPI-DSI
<b>Misc.</b>	Reset button 36 pins GPIO Header RTC with Battery IR
<b>Development and Debug interfaces</b>	UART Header
<b>Power</b>	7V-36V
<b>Expansion card I/Os</b>	M.2* Mini PCIe (half size)
<b>Temperature</b>	Industrial: -40°C to 85°C
<b>Dimensions</b>	PCBA: 100 x 70mm Enclosure: 120 x 80 x 30 mm
<b>Enclosure</b>	Extruded aluminum

(\*) Supported with SOM i.MX6 Dual and above.



## Ordering Information

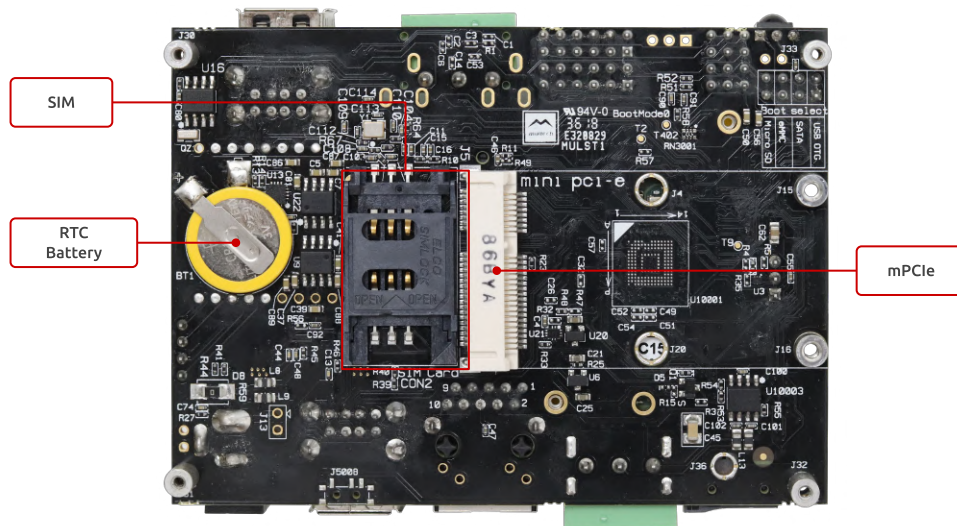
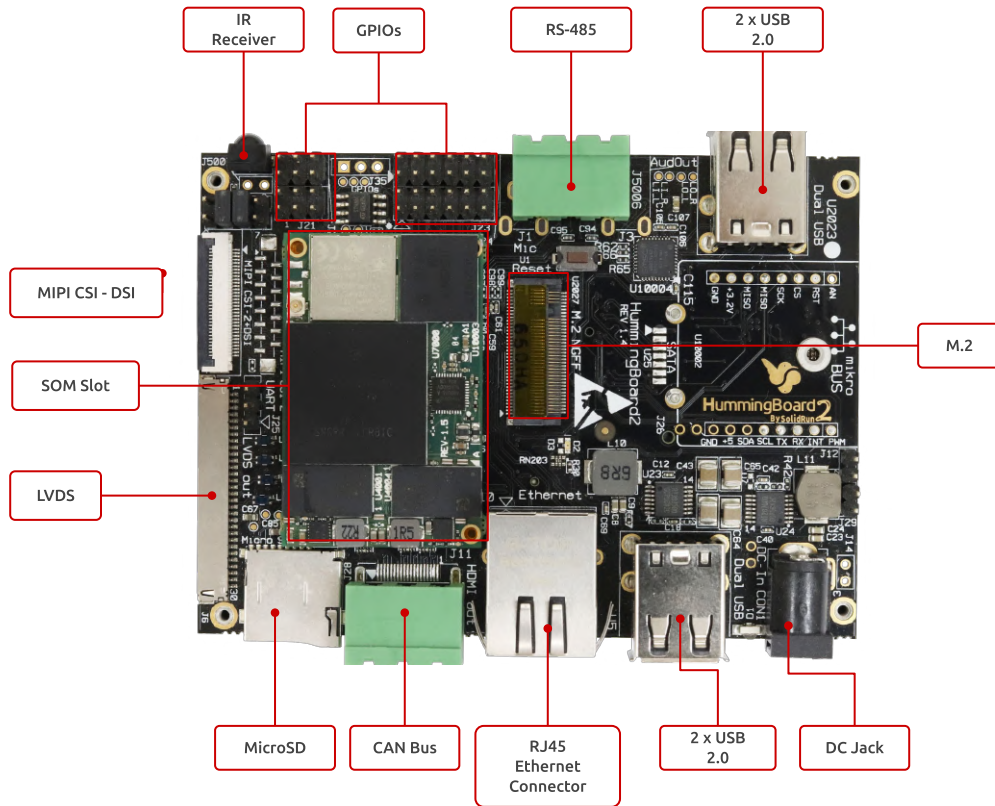
### Available on Shop

SKU	Description
<a href="#">SRMX6DLWT1D01GE008C00IE</a>	SOM i.MX6 Dual-lite   HummingBoard CBi   Inc. WiFi/BT   1GB RAM   8GB eMMC   Ind. Temp   R00   Inc. Enclosure
<a href="#">SRMX6ODWT1D02GE008C00IE</a>	SOM i.MX6 Quad   HummingBoard CBi   Inc. WiFi/BT   2GB RAM   8GB eMMC   Ind. Temp   R00   Inc. Enclosure

- To choose your ideal configuration see our [Product Configurator Tool](#)

### Accessories:

SKU	Description
<a href="#">PA00012</a>	12V 1.5A US Power Adapter
<a href="#">PA00013</a>	12V 1.5A EU Power Adapter
<a href="#">AN00016</a>	2.4/5GHz SMA Antenna
<a href="#">AN00009</a>	2.4GHz SMA Antenna
<a href="#">MSD016B</a>	Micro SD 16GB
<a href="#">QT00EC25AU</a>	Quectel EC25AU - LTE Cat 4 AU
<a href="#">QT00EC25A</a>	Quectel EC25AU - LTE Cat 4 US
<a href="#">QT00EC25E</a>	Quectel EC25AU - LTE Cat 4 EU



For more information about the HummingBoard CBi Software/Hardware visit our:

[Developer Center](#)